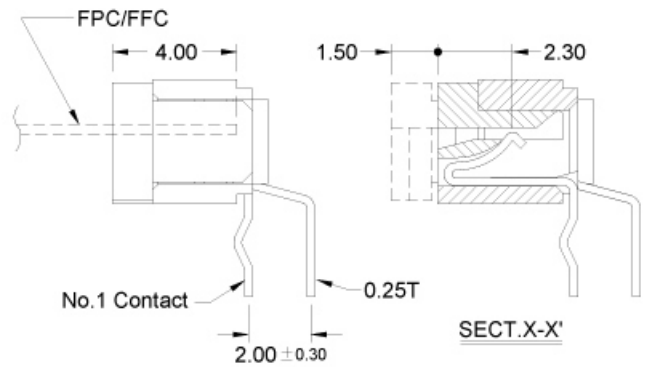
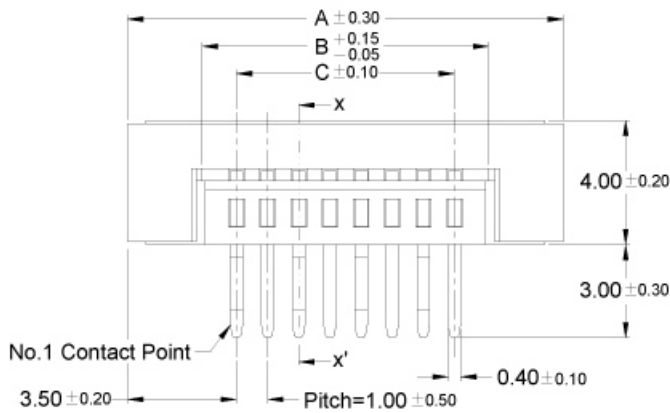
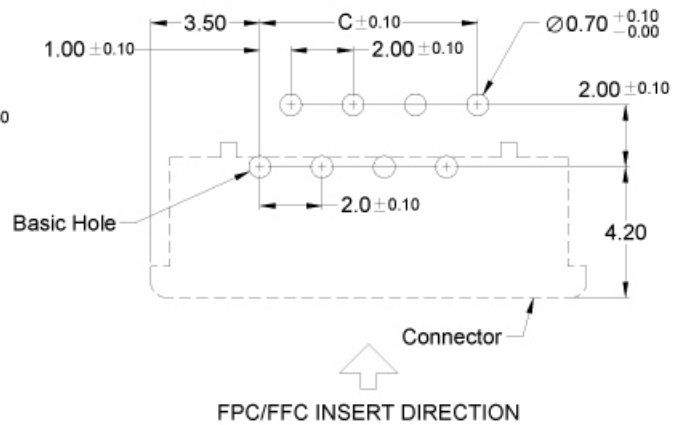
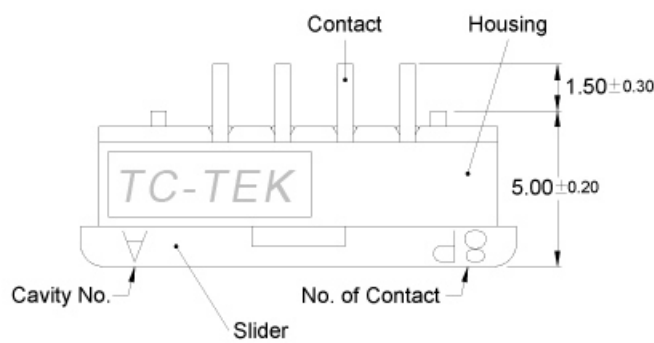


SERIES

BL106

零插入力 臥式 引腳插入型(下接觸點規格)
ZIF Right Angle DIP(Lower Contact Type)

PCB Layout



No. of Contacts	Part No.	DIM. A	DIM. B	DIM. C
4	BL106-04RL-xxxx	10.0	5.2	3.0
5	BL106-05RL-xxxx	11.0	6.2	4.0
6	BL106-06RL-xxxx	12.0	7.2	5.0
7	BL106-07RL-xxxx	13.0	8.2	6.0
8	BL106-08RL-xxxx	14.0	9.2	7.0
9	BL106-09RL-xxxx	15.0	10.2	8.0
10	BL106-10RL-xxxx	16.0	11.2	9.0
11	BL106-11RL-xxxx	17.0	12.2	10.0
12	BL106-12RL-xxxx	18.0	13.2	11.0
13	BL106-13RL-xxxx	19.0	14.2	12.0
14	BL106-14RL-xxxx	20.0	15.2	13.0
15	BL106-15RL-xxxx	21.0	16.2	14.0
16	BL106-16RL-xxxx	22.0	17.2	15.0
17	BL106-17RL-xxxx	23.0	18.2	16.0
18	BL106-18RL-xxxx	24.0	19.2	17.0

No. of Contacts	Part No.	DIM. A	DIM. B	DIM. C
19	BL106-19RL-xxxx	25.0	20.2	18.0
20	BL106-20RL-xxxx	26.0	21.2	19.0
21	BL106-21RL-xxxx	27.0	22.2	20.0
22	BL106-22RL-xxxx	28.0	23.2	21.0
23	BL106-23RL-xxxx	29.0	24.2	22.0
24	BL106-24RL-xxxx	30.0	25.2	23.0
25	BL106-25RL-xxxx	31.0	26.2	24.0
26	BL106-26RL-xxxx	32.0	27.2	25.0
27	BL106-27RL-xxxx	33.0	28.2	26.0
28	BL106-28RL-xxxx	34.0	29.2	27.0
29	BL106-29RL-xxxx	35.0	30.2	28.0
30	BL106-30RL-xxxx	36.0	31.2	29.0
31	BL106-31RL-xxxx	37.0	32.2	30.0
32	BL106-32RL-xxxx	38.0	33.2	31.0
---	---	---	---	---