

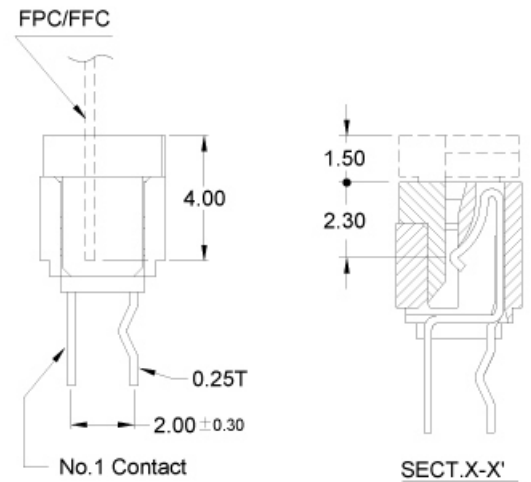
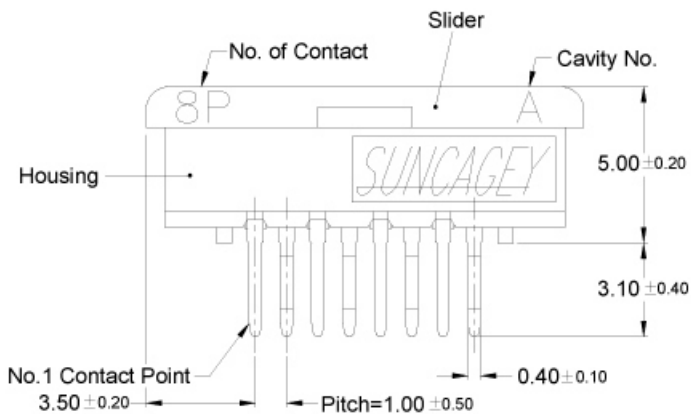
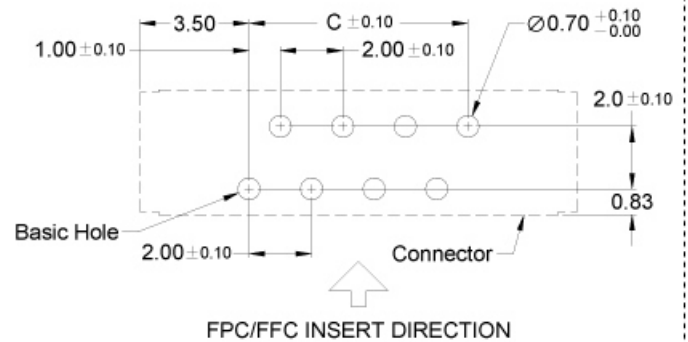
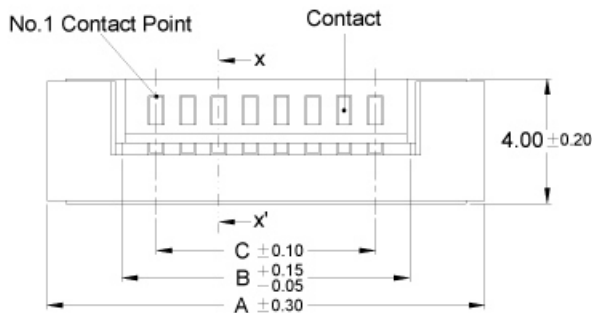
SERIES

BL106

零插入力 立式 引腳插入型

ZIF Straight DIP

PCB Layout



No. of Contacts	Part No.	DIM. A	DIM. B	DIM. C	No. of Contacts	Part No.	DIM. A	DIM. B	DIM. C
4	BL106-04S-xxxx	10.0	5.2	3.0	19	BL106-19S-xxxx	25.0	20.2	18.0
5	BL106-05S-xxxx	11.0	6.2	4.0	20	BL106-20S-xxxx	26.0	21.2	19.0
6	BL106-06S-xxxx	12.0	7.2	5.0	21	BL106-21S-xxxx	27.0	22.2	20.0
7	BL106-07S-xxxx	13.0	8.2	6.0	22	BL106-22S-xxxx	28.0	23.2	21.0
8	BL106-08S-xxxx	14.0	9.2	7.0	23	BL106-23S-xxxx	29.0	24.2	22.0
9	BL106-09S-xxxx	15.0	10.2	8.0	24	BL106-24S-xxxx	30.0	25.2	23.0
10	BL106-10S-xxxx	16.0	11.2	9.0	25	BL106-25S-xxxx	31.0	26.2	24.0
11	BL106-11S-xxxx	17.0	12.2	10.0	26	BL106-26S-xxxx	32.0	27.2	25.0
12	BL106-12S-xxxx	18.0	13.2	11.0	27	BL106-27S-xxxx	33.0	28.2	26.0
13	BL106-13S-xxxx	19.0	14.2	12.0	28	BL106-28S-xxxx	34.0	29.2	27.0
14	BL106-14S-xxxx	20.0	15.2	13.0	29	BL106-29S-xxxx	35.0	30.2	28.0
15	BL106-15S-xxxx	21.0	16.2	14.0	30	BL106-30S-xxxx	36.0	31.2	29.0
16	BL106-16S-xxxx	22.0	17.2	15.0	31	BL106-31S-xxxx	37.0	32.2	30.0
17	BL106-17S-xxxx	23.0	18.2	16.0	32	BL106-32S-xxxx	38.0	33.2	31.0
18	BL106-18S-xxxx	24.0	19.2	17.0	---	---	---	---	---