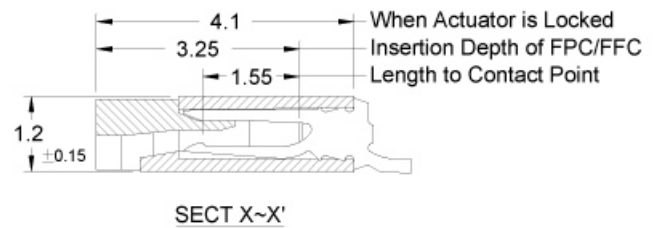
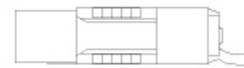
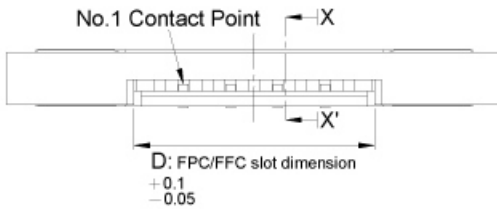
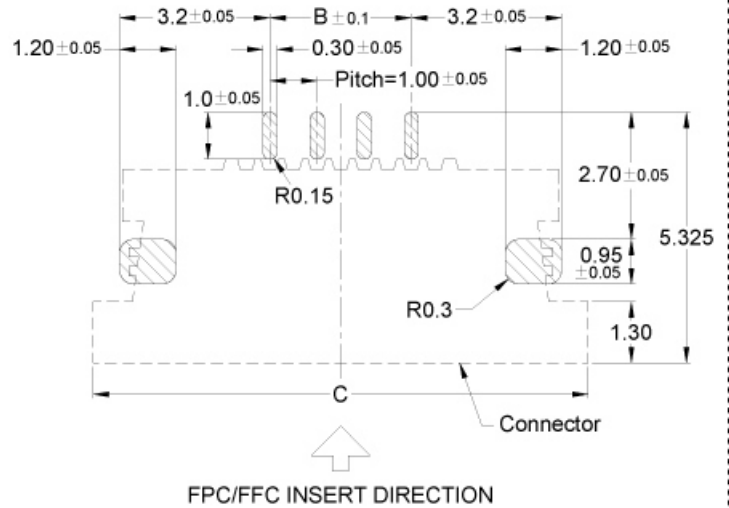
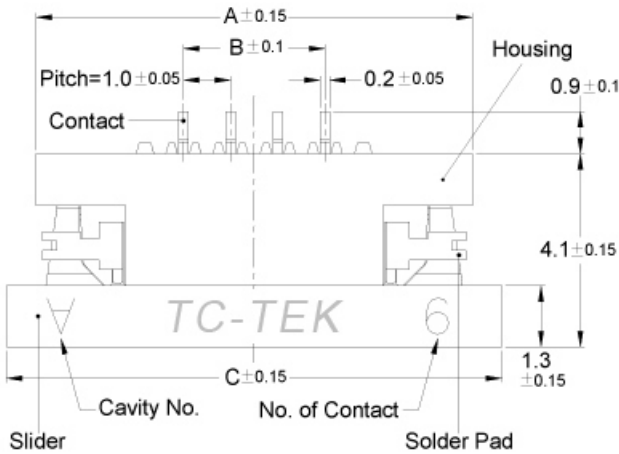


SERIES

BL117

零插入力 臥式 表面黏著型(下接觸點規格)
ZIF Right Angle SMT(Lower Contact Type)

PCB Layout



SECT X~X'

No. of Contacts	Part No.	DIM. A	DIM. B	DIM. C	DIM. D
4	BL117-04RL-xxxx	9.25	3.0	10.5	5.1
5	BL117-05RL-xxxx	10.25	4.0	11.5	6.1
6	BL117-06RL-xxxx	11.25	5.0	12.5	7.1
7	BL117-07RL-xxxx	12.25	6.0	13.5	8.1
8	BL117-08RL-xxxx	13.25	7.0	14.5	9.1
9	BL117-09RL-xxxx	14.25	8.0	15.5	10.1
10	BL117-10RL-xxxx	15.25	9.0	16.5	11.1
11	BL117-11RL-xxxx	16.25	10.0	17.5	12.1
12	BL117-12RL-xxxx	17.25	11.0	18.5	13.1
13	BL117-13RL-xxxx	18.25	12.0	19.5	14.1
14	BL117-14RL-xxxx	19.25	13.0	20.5	15.1

No. of Contacts	Part No.	DIM. A	DIM. B	DIM. C	DIM. D
15	BL117-15RL-xxxx	20.25	14.0	21.5	16.1
16	BL117-16RL-xxxx	21.25	15.0	22.5	17.1
17	BL117-17RL-xxxx	22.25	16.0	23.5	18.1
18	BL117-18RL-xxxx	23.25	17.0	24.5	19.1
19	BL117-19RL-xxxx	24.25	18.0	25.5	20.1
20	BL117-20RL-xxxx	25.25	19.0	26.5	21.1
21	BL117-21RL-xxxx	26.25	20.0	27.5	22.1
22	BL117-22RL-xxxx	27.25	21.0	28.5	23.1
23	BL117-23RL-xxxx	28.25	22.0	29.5	24.1
24	BL117-24RL-xxxx	29.25	23.0	30.5	25.1
---	---	---	---	---	---