

NOTES:

1. SPECIFICATIONS: (OPTION)

ELECTRICAL:

RATING CURRENT: 0.5 A
 INSULATION RESISTANCE: 1000MΩ Min. at 100V DC
 CONTACT RESISTANCE: 500 mΩ Max.
 WITHSTANDING VOLTAGE: 500V AC

MECHANICAL:

CONTACT RETENTION Force: 0.25kgf MIN.
 INSERTION FORCE: 4.2kgf MAX.
 WITHDRAWAL FORCE: 0.21kgf MIN.
 Durability: 10,000 times

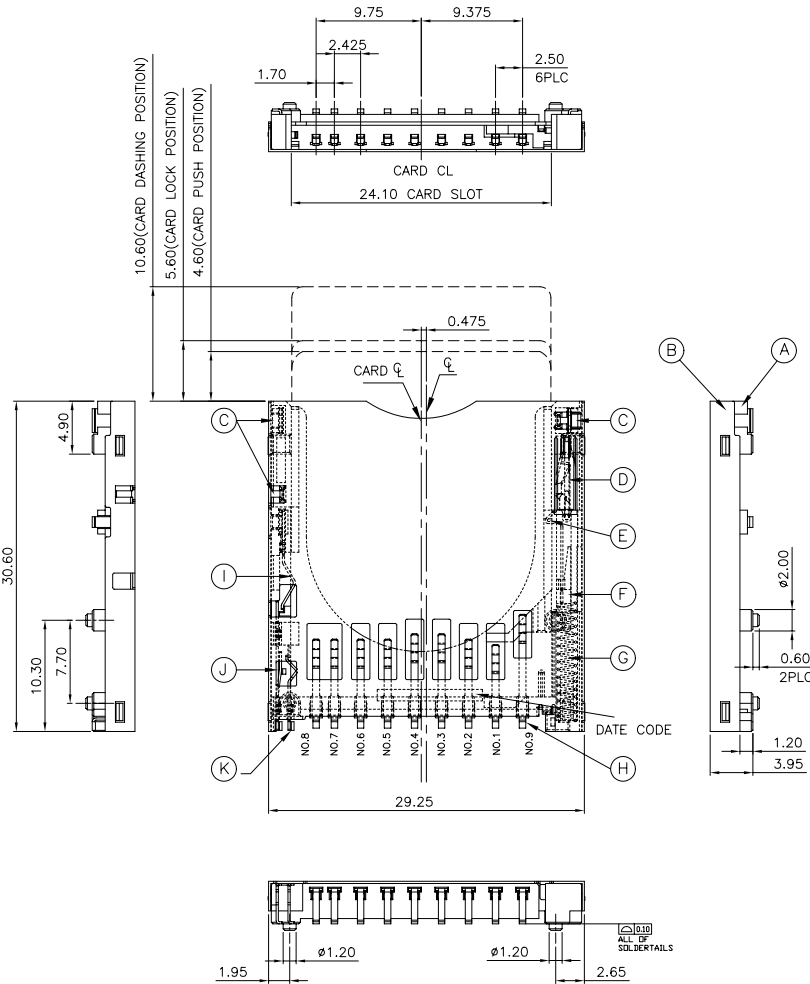
ITEM 項目	PARTS NAME 零件名稱	MATERIAL 材質	FINISH/REMARK 處理/備註
A	HOUSING	LCP	UL 94V-0, BLACK
B	SHELL	STAINLESS T=0.2	NON-PLATING
C	HOLDDOWN CONTACT	PHOSHPOR BRONZE T=0.20	100μ*MIN. TIN PLATING ON SOLDER TAIL AREA 50μ*MIN. NICKEL UNDERPLATING OVERALL
D	CAM PIN	STAINLESS Ø0.4	NON-PLATING
E	CARD LOCK	PHOSHPOR BRONZE T=0.20	100μ*MIN. TIN PLATING 50μ*MIN. NICKEL UNDERPLATING OVERALL
F	SLIDER CAM	LCP	UL 94V-0, BLACK
G	SPRING	SWP Ø0.25	50μ*MIN. NICKEL UNDERPLATING OVERALL
H	CONTACT-SD	PHOSHPOR BRONZE T=0.20	50μ*MIN. GOLD PLATING ON CONTACT AREA 100μ*MIN. TIN PLATING 50μ*MIN. NICKEL UNDERPLATING OVERALL
I	PROTECT CONTACT		
J	PROTECT CONTACT AND DETECT CONTACT-SWITCH		
K	DETECT CONTACT		

- WHEN DELIVERING, THE PSH/PUSH MECHANISM IS IN THE STATE OF THE UNLOCK.
(CARD DASHING OUT POSITION)
- CARD READ ONLY BY THE TIME THE CARD DETECTION SWITCH WORKS.
- OPEN AND CLOSE OF EACH SWITCH.

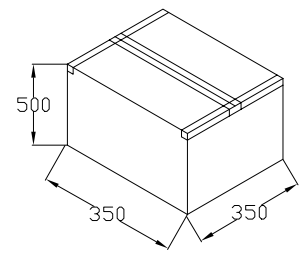
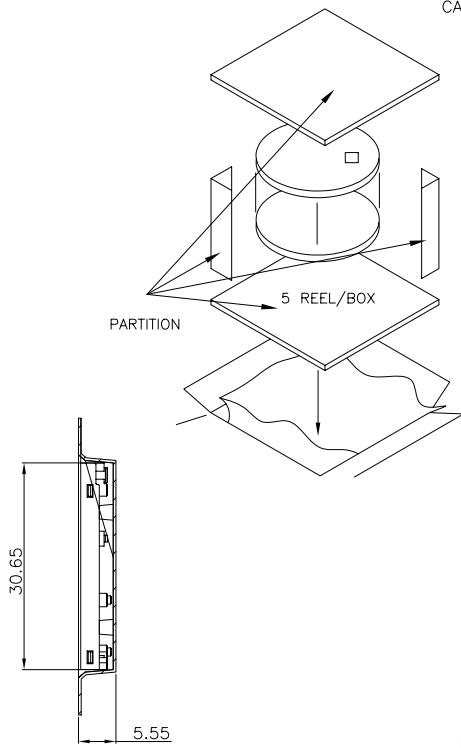
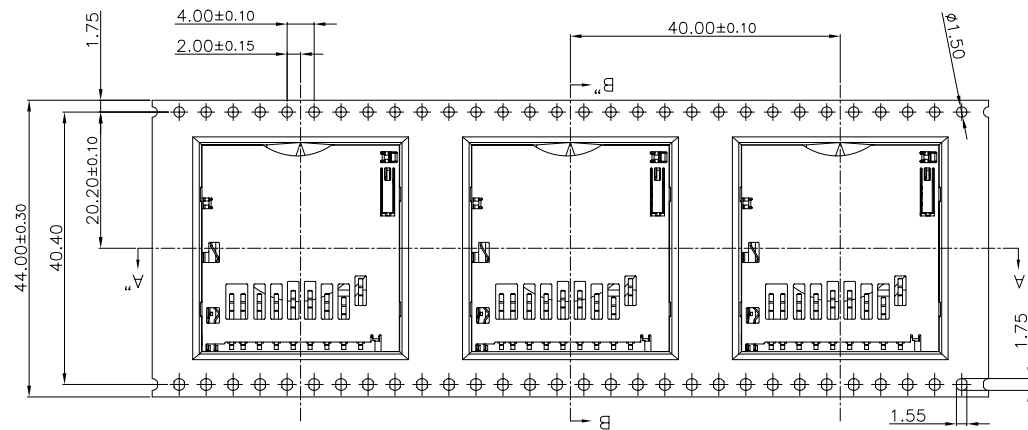
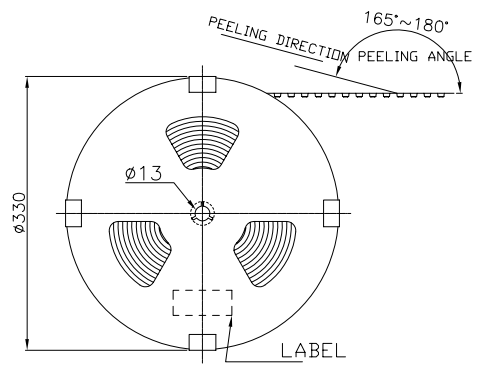
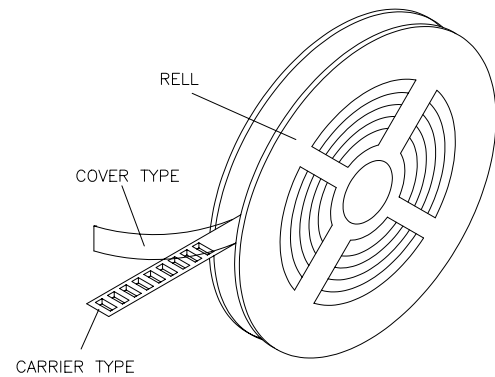
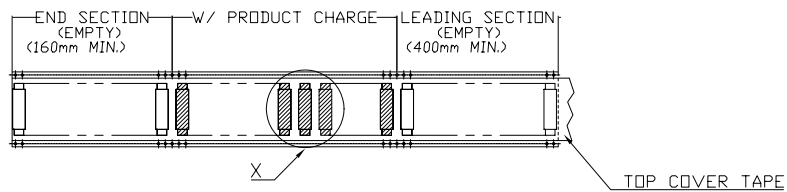
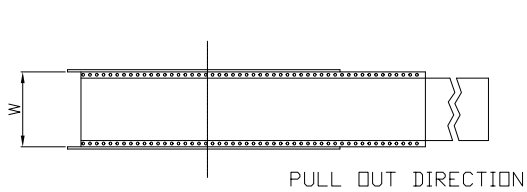
CARD INSERTION STATUS	WRITE PROTECT SWITCH		DETECT SWITCH
	WRITE PROTECT POSITION	WRITE ENABLE POSITION	
CARD UNINSERTION	OPEN	OPEN	OPEN
CARD HALF INSERTION	COLSE	COLSE	OPEN
CARD INSERTION	OPEN	COLSE	COLSE

5. PART NO.

F 0 3 - 600 - 00 0A
 SERIES F=MEMORY CARD
 TYPE 0=OTHER PITCH
 CONTACT TYPE 3=SMT TYPE
 MODEL NO.
 TYPE NO.
 0A=Type A
 CONTACT NUMBER
 00=REF. NO.



REV. 版本	ECN NO. 設變號碼	MARK 記號	REVISIONS 設變內容	SIGN 修改	DATE 日期	UNLESS OTHERWISE SPECIFIED TOLERANCE 尺寸公差	CHECKED 審核	DESIGNED 設計	UNIT 單位	PART NO. 產品料號	SCALE 比例	DOC. NO. 文件編號	VERSION 版本
B	EXXXX-XXX	△ X 0	修正外箱高度	JIMMY	11/29/04	X. ±0.50		09/08/04		SD/IO CARD CONN STAND OFF 1.2MM REVERSE TYPE WITH PUSH PUSH (FOR MOLEX REV6-SD-48141-001) (TYCO LOGO)			
A	EXXXX-XXX	△ X 0	-	-	-	.X ±0.30 .XX ±0.20 ANG. ±5°00'	APPROVED 承認	DRAWN 製圖	A3	F03-600-000A	11/29/04	CUT-600	1/3



DETAIL X

SECTION B-B"

SECTION A-A"

- NOTES
 1.MATERIAL: PS (Color: black)
 2.DEFORMATION(變形)&DAMAGE(損壞): NA.(不可)
 3.PACKING: 250 PCS/REEL ; 5 PCS REEL/BOX

A	B	EXXXX-XXX	△ X 1	修正外箱高度	JIMMY	11/29/04	UNLESS OTHERWISE SPECIFIED TOLERANCE 尺寸公差 .X ±0.40 .X ±0.25 .XX ±0.10 ANG. ±2°00'	CHECKED 審核	DESIGNED 設計 JIMMY	UNIT 單位 MM	TITLE 產品名稱 Packing Drawing		
	A	EXXXX-XXX	△ X 0	-	-	-			APPROVED 承認		DRAWN 製圖 JIMMY	SCALE 比例 1/1	PART NO. 產品料號 F03-600-000A
	REV. 版本	ECN NO. 設變號碼	MARK 記號	REVISIONS 設變內容	SIGN 修改	DATE 日期				SIZE 尺寸 A3	DOC. NO. 文件編號 CUT-600-010	3/3	