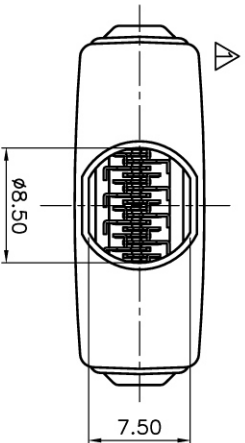
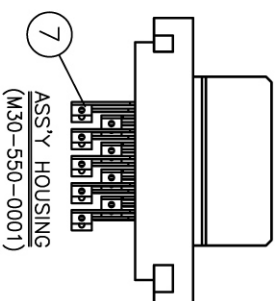
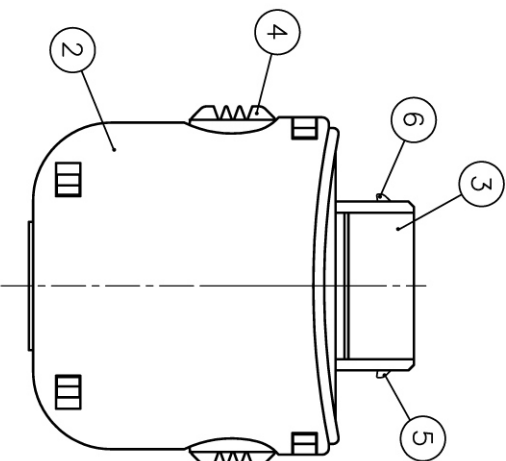
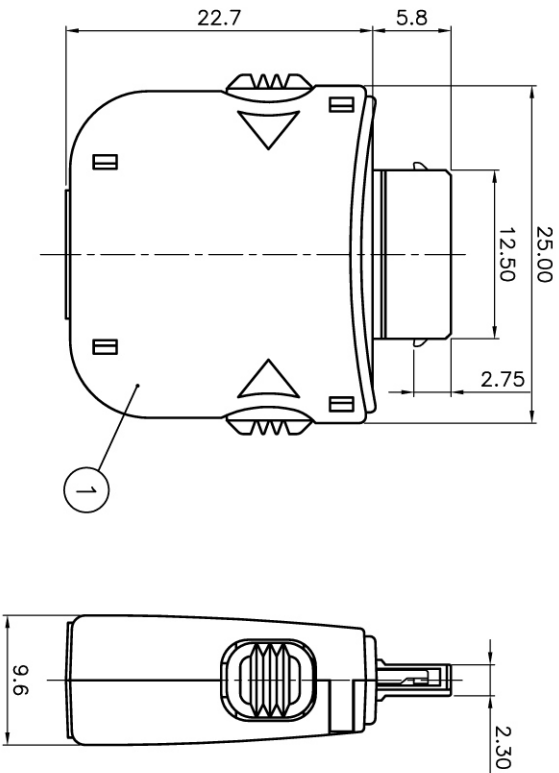
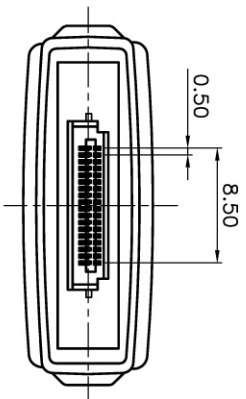


ITEM 項目	PARTS NAME 零件名稱	Q'TY 數量	MATERIAL 材質	FINISH/REMARK 處理/備註
1	TOP COVER	1	A.B.S (Black)	(Black)
2	BOTTOM COVER	1	A.B.S (Black)	UL-94V-0 (Black)
3	HOUSING	1	NYLON	(Black)
4	BUTTON	2	A.B.S	(Black)
5	LATCH-L	1	STAINLESS	Non-plating
6	LATCH-R	1	STAINLESS	Non-plating
7	CONTACT	18	Phosphor Bronze	Gold flash selective



SPECIFICATION
MATERIAL
 See drawing
STANDARD DATA
 Rating current: 0.5A
 Operating temperature: -30°C ~ +60°C
 Storage temperature: -40°C ~ +85°C
ELECTRICAL
 Insulator resistance: 1000M ohms Min. @ 250 VDC
 Withstanding voltage: 100 VAC / minute
 Contact resistance: 50 m ohms Max.
MECHANICAL
 Mating force: 30N(3.06kgf) Max.
 Unmating force (Without lock): 4.2N(0.43kgf) Min.
 Durability: 10000 cycles Min.
 Contact retention force: 4.2N(0.43kgf) Min.
PART NO.
 A 1 1 - 550 - 18 08
 SERIES ——— TYPE NO.
 A=Plug in MODEL NO. 08=Type 8
 TYPE CONTACT NUMBER
 1=0.5mm pitch 18=18position
 CONTACT TYPE
 1=Solder type

A		B		C		D		E		F		G		H		I		J	
REV. 版本	ECON NO. 股號號碼	MARK 記號	REVISIONS 股號內容	JIMMY	DATE 日期	UNLESS OTHERWISE SPECIFIED TOLERANCE 尺寸公差	CHECKED 審核	DESIGNED 設計	SCALE 比例	PART NO. 產品料號	TITLE 產品名稱	DOC. NO. 文件編號	CUT	VERSION 版本					
1	XXXX-XXX	X 0	替換新開 修正PIN孔方向	08/15/03	ANG.	APPROVED 承認	JIMMY	08/15/03	2.5/1	A11-550-1808	PLUG IN CONNECTOR	550-004	B						

