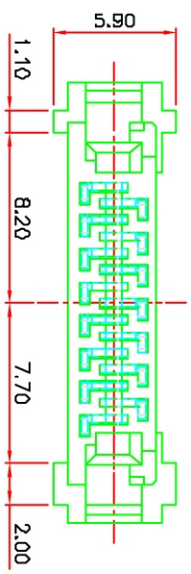
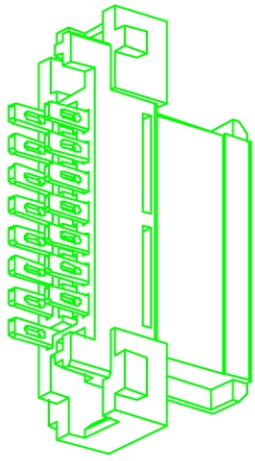
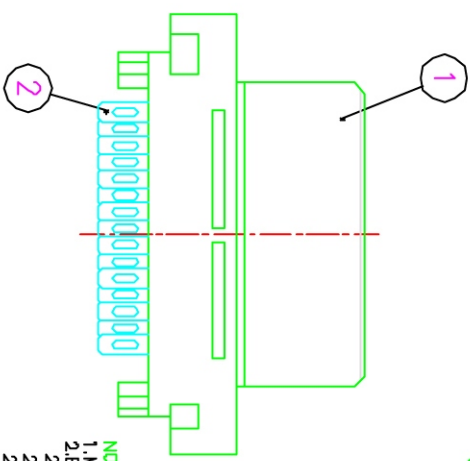
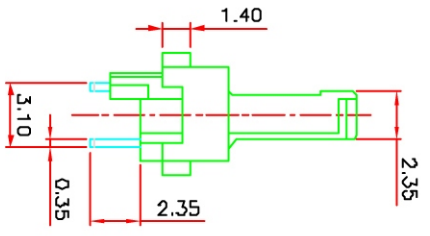
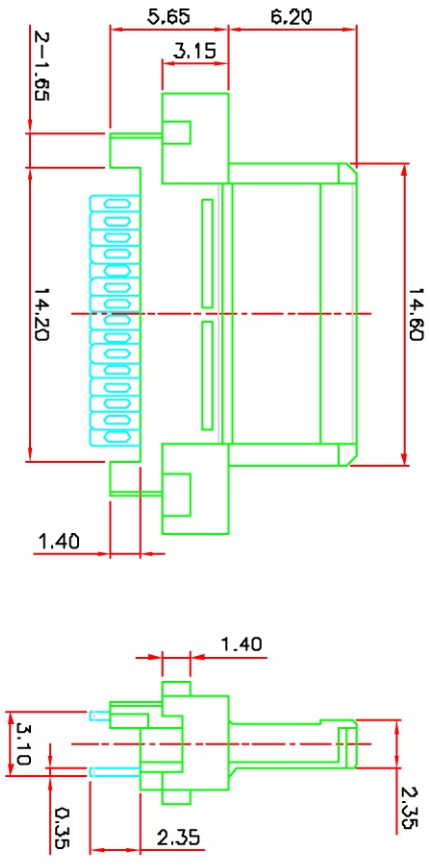
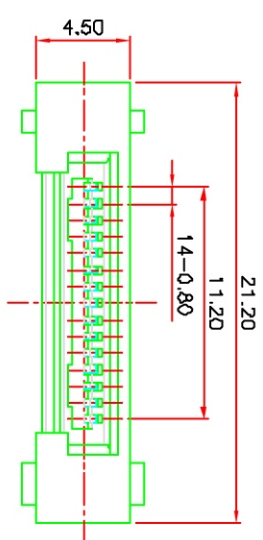


ITEM	PARTS NAME	QTY	MATERIAL	FINISH/REMARK
項目	零件名稱	數量	材質	處理/備註
1	HOUSING	1	NYLON	(Black)
2	CONTACT	15	Phosphor Bronze	Gold flash selective



NOTES

1. MATERIAL: See drawing
 2. ELECTRICAL
 - 2.1 Insulator resistance: 1000M ohms Min. @ 250 VDC
 - 2.2 Withstanding voltage: 100 VAC / min
 - 2.3 Contact resistance: 50m ohms Max.
 3. MECHANICAL
 - 3.1 Mating force: 30N(3.06kgf) Max.
 - 3.2 Unmating force: 4.2N(0.43kgf) Min.
 - 3.3 Durability: 10000 cycles Min.
 - 3.4 Contact retention force: 4.2N(0.43kgf) Min
 4. PACKING: 250pcs/bag (reference) S.PART NO. M30 - 584 - 0 0 01
- SERIES Connector MODEL NO. M30 - 584 - 0 0 01
- TYPE NO. 01-Type 1
- PROCESS NO. *0*
- MATERIAL TYPE 0=Seml-finished goods

REV. 版本	ECN NO. 變更號碼	MARK 記號	REVISIONS 變更內容	SKN 修改	DATE 日期	UNLESS OTHERWISE SPECIFIED TOLERANCE 尺寸公差	CHECKED 審核	DESIGNED 設計	SCALE 比例	PART NO. 零件編號	REV. 版本
A	EXXXX-XXX	△ X 0	-	-	-	X, .X ±0.50 .XX ±0.30 ANG. ±5'00"		H.T.CHEN 08/16/02'	4/1	M30-584-0001	A

ASSY HOUSING
Solder type-15 position

CUT-584-002