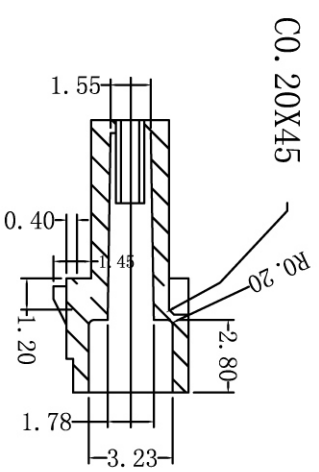
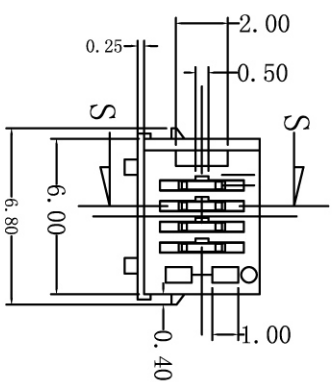
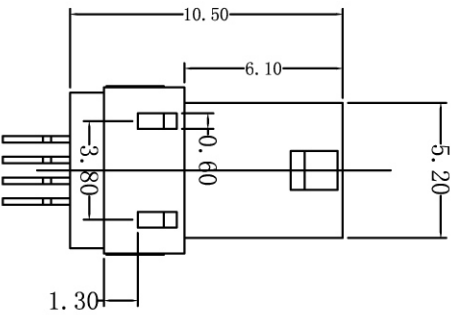
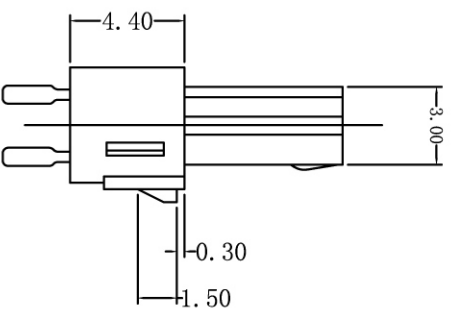
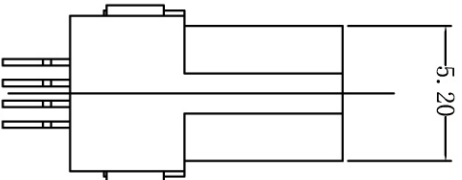
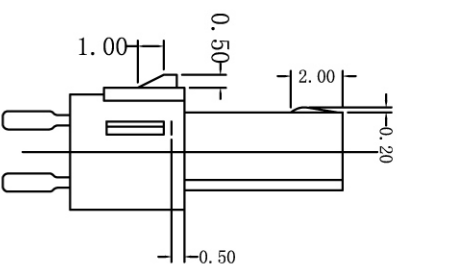
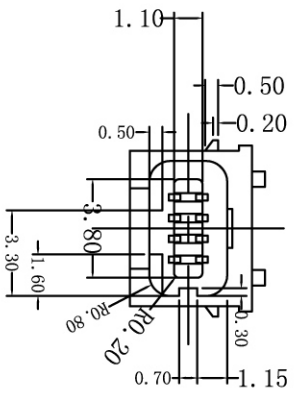


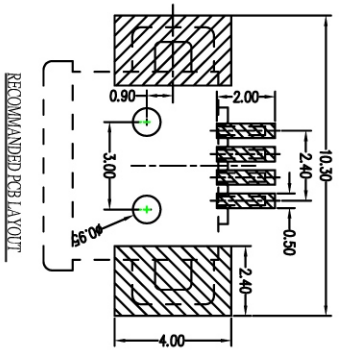
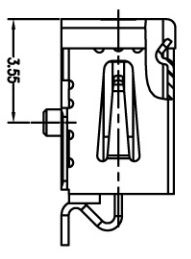
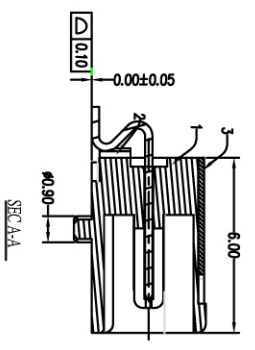
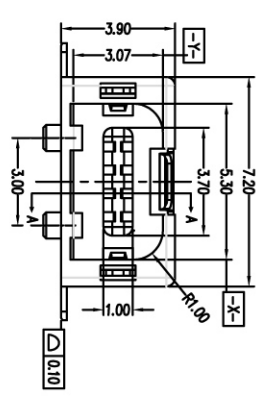
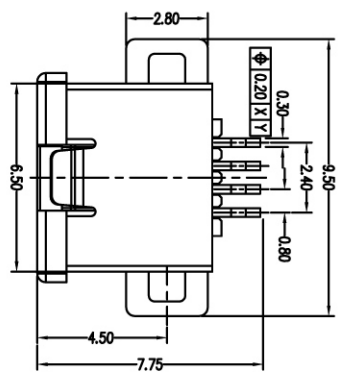
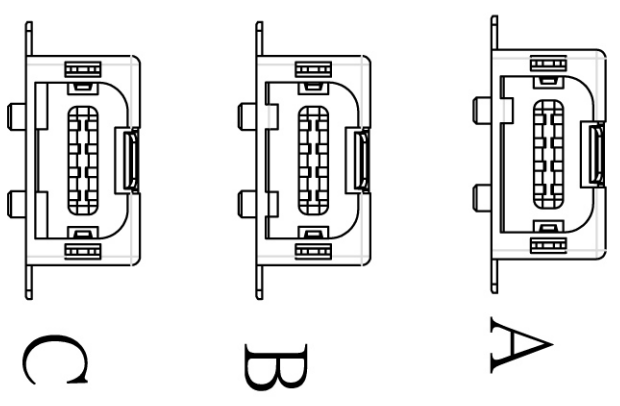
ITEM	PARTS NAME	PART NO.	Q'TY	MATERIAL	FINISH/REMARK
項目	零件名稱	零件編號	數量	材質	處理/備註
1	HOUSING	M21-222-0001	1	LCP (E130)	UL-94V-0 (Black)
2	CONTACT-1	M22-222-0122	4	Phosphor Bronze	Gold flash selective-4pin/pcs
3					
4					



- NOTES
- 1.MATERIAL: See drawing
 - 2.ELECTRICAL
 - 2.1.Insulator resistance: 1000M ohms Min. @ 250 VDC
 - 2.2.Withstanding voltage: 100 VAC / minute
 - 2.3.Contact resistance: 50m ohms Max.
 - 3.MECHANICAL
 - 3.1.Mating force: 30N(3.06kgf) Max.
 - 3.2.Unmating force: 4.2N(0.43kgf) Min.
 - 3.3.Durability: 10,000 cycles Min.
 - 3.4.Contact retention force: 4.2N(0.43kgf) Min
 - 4.PACKING: 200pcs/Tray
 - 5.IMPORTANT DIM. MARK "

SECTION S-S

MINI USB A 4P 全塑型公头 (双脚架)		材	质	LCP	单位	MM
图号	A001-1A-2	图纸编号	A001-1A-20001	比例	1:1	
制图	Stella	审核	Michael	日期	2005.10.14	



RH-3501-X G1 B S

Housing of Contact
A; B; C contacts

Contact Plating
Standard Plating: G1

Base Color
B Black

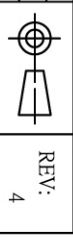
PCB Contact Function
S1 SMT "Z"
S2 SMT "S"

3u	G1	10u	G3
5u	G2	15u	G4
30u	G5		

圖號 DWG NO.	RH-3501-XG1BS	材質 MATERIAL	繪圖 DR	Alan Chao	單位 INITS
料號 PART NO.	RH-3501-XG1BS		審核 CHKD		比例 SCALE
品名 TITLE	MINI USB B 5PIN FEMALE		核准 APRO		日期 DATE

單位 SCALE	mm	比例 SCALE	1 : 1
日期 DATE	2005/08/13	頁碼 PAGE	1 of 1

序號	說明	日期	修改者	核准
△	±0.1	X.	±2°	
△	±0.08	X.X	±1°	
△	±0.05	X.XX	±0.5°	



- Note:
- Material:
 - Housing: High temperature thermoplastic with g.f. UL94V-0
 - Contact: Copper alloy t=0.25mm
 - Shell: Copper alloy t=0.25mm
 - Specification:
 - Current rating: 1 A Max.
 - Voltage rating: 30V ac(rms) Max.
 - Dielectric withstanding voltage: 100 V(ac) for 1 min.
 - Contact resistance: 50 mΩ Max.
 - Insulation resistance: 100 MΩ Min.
 - Total mating force: 3.57 Kgf Max.
 - Total unmating force: 0.50 Kgf Min.
 - Temperature range: 0°C~50°C

F

E

D

C

B

A

1

2

3

4

5

6

7

8

F

E

D

C

B

A