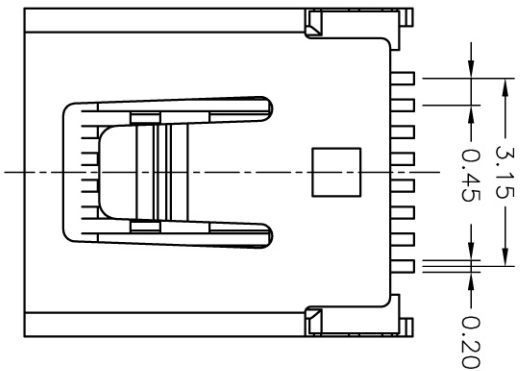
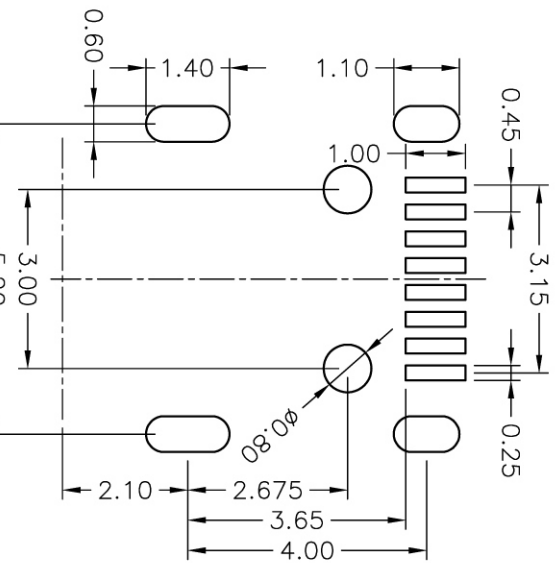
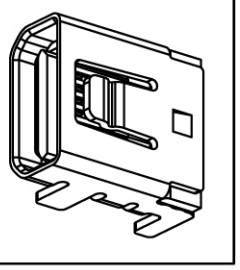
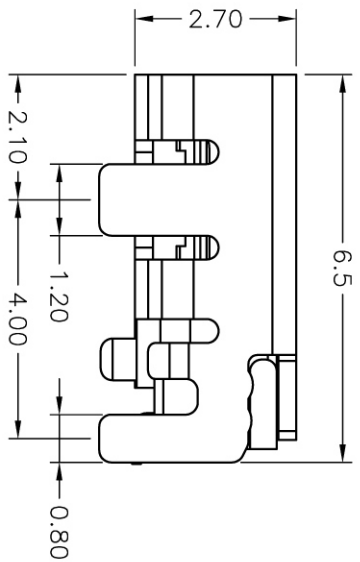
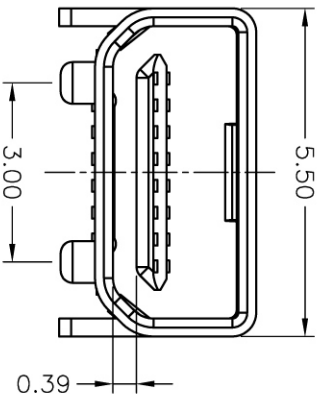
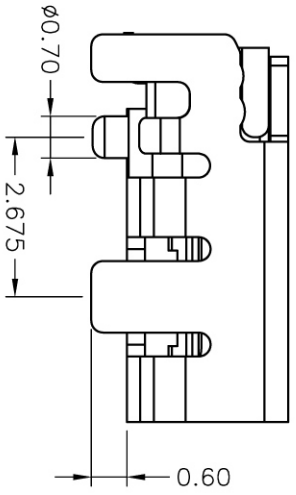


REV.	ECN. NO.	APPD.



RECOMMENDED PCB LAYOUT



Specification

***Electrical Characteristics:**

Contact Current Rating:0.5 Amperes.
 Dielectric Withstanding Voltage:AC 500V R.M.S.
 Insulation Resistance:100M Ω Min.
 Contact Resistance:50m Ω Max.

***Environmental:**

Operating Temperature:-40°C~+85°C.

***Mechanical Characteristics:**

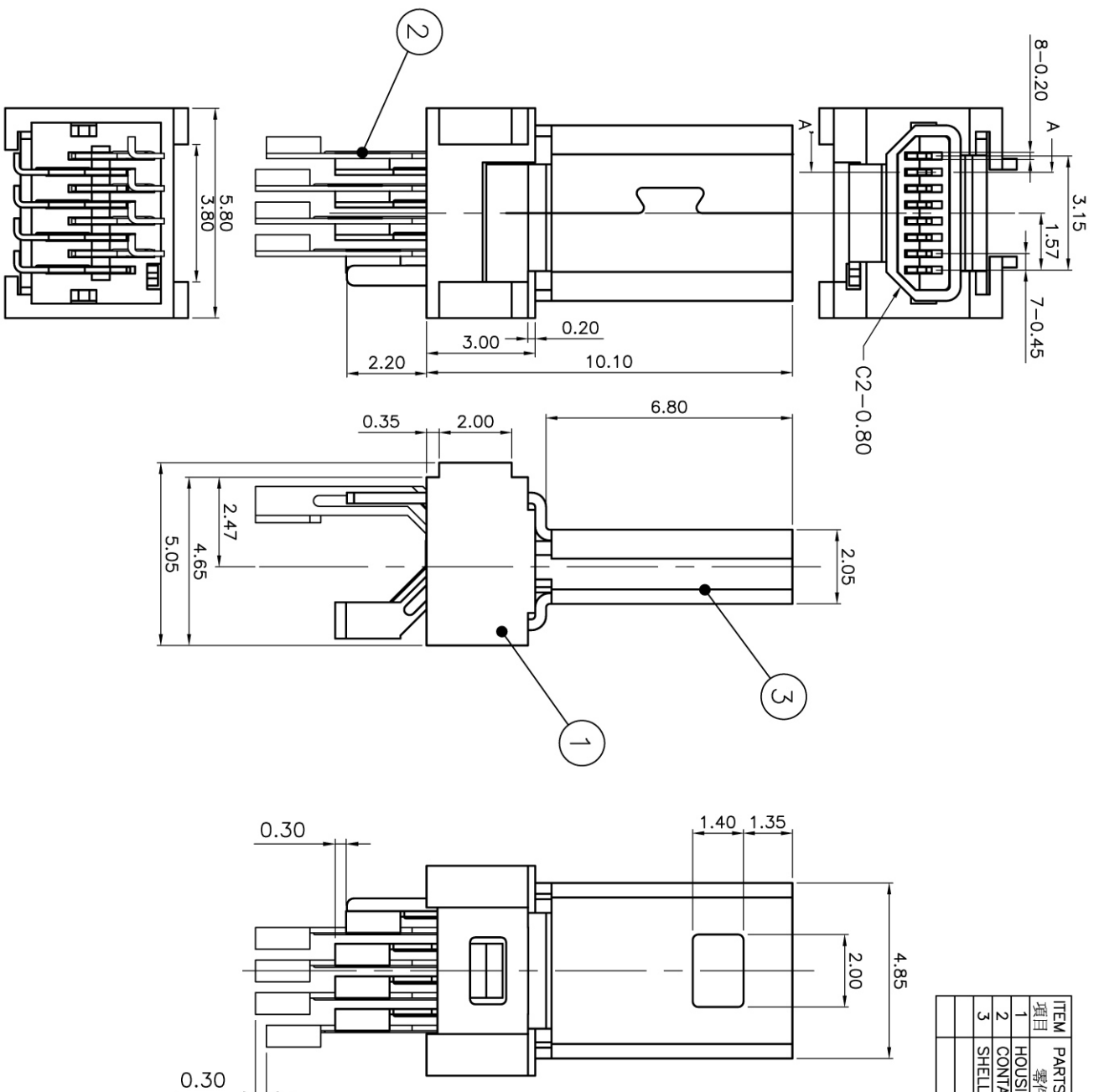
Matching Cycles:1500 Cycles.
 Contact Insertion Force:3.57Kgf Max.
 Contact Separation Force:0.1Kgf Min.

***Material:**

Housing:Hi-Temp UL 94V-0 Rated.
 Contact:Phosphor Bronze($t=0.15\text{mm}$).
 Shell:Copper Alloy($t=0.30\text{mm}$).

X.±0.38	X.±4°	UNITS	mm
.X.±0.25	.X.±2°	MAT'L	SEE NOTE
±0.20	XX°	FINISH	SEE NOTE
±0.10	.XXX°	Q'TY	SEE NOTE
THESE DRAWING			
TITLE: Mini-usb 8pin 扁形母座(SMT-A)		PART NO.: P01ATO-08FXXXXXXXX3X0	
DR: Sandy 2006/01/20		DWG NO.: P01ATO-08F	
CHKD: Sandy 2006/01/20		SCALE	SHEET
APPD: Sandy		1:1	1/1
		REV.	CUSTOMER DRAWING
		XA	

ITEM	PARTS NAME	Q'TY	MATERIAL	FINISH/REMARK
項目	零件名稱	數量	材質	處理/備註
1	HOUSING	1	LCP	UL-94V-0 (Black)
2	CONTACT	8	sphor Bronze	Gold flash selective
3	SHELL	1	BRASS	Nickel-Plating



- NOTES**
- 1.MATERIAL: See drawing
 - 2.ELECTRICAL
 - 2.1. Insulator resistance: 100M ohms Min. @ 250 VDC
 - 2.2. Withstanding voltage: 100 VAC / minute
 - 2.3. Contact resistance: 50m ohms Max.
 - 3.MECHANICAL
 - 3.1. Mating force: 35N(3.50kgf) Max.
 - 3.2. Unmating force: 1N(0.1kgf) Min.
 - 3.3. Durability: 1500 cycles Min.
 - 3.4. Contact retention force: 4.2N(0.43kgf) Min
 - 4.PACKING: 500pcs/bag (reference)
 - 5.IMPORTANT DIM. MARK*
 - 6.PART NO.

REV. 版本	ECN NO. 股號號碼	MARK 記號	REVISIONS 股號內容	SIGN 修改	DATE 日期	UNLESS OTHERWISE SPECIFIED TOLERANCE 尺寸公差	CHECKED 審核	DESIGNED 設計	UNIT 單位	SCALE 比例	PART NO. 產品料號	DOC. NO. 文件編號
A	EXXXX-XXX	X 0	-	-	-	X, .X ±0.50 .XX ±0.30 ANG. ±0.20 ±5'00"	APPROVED 承認	Alvin 06/10/03'	MM	8/1	M30-598-0001	CUT-598-001
ASSY HOUSING Solder type-8 position												
版本												