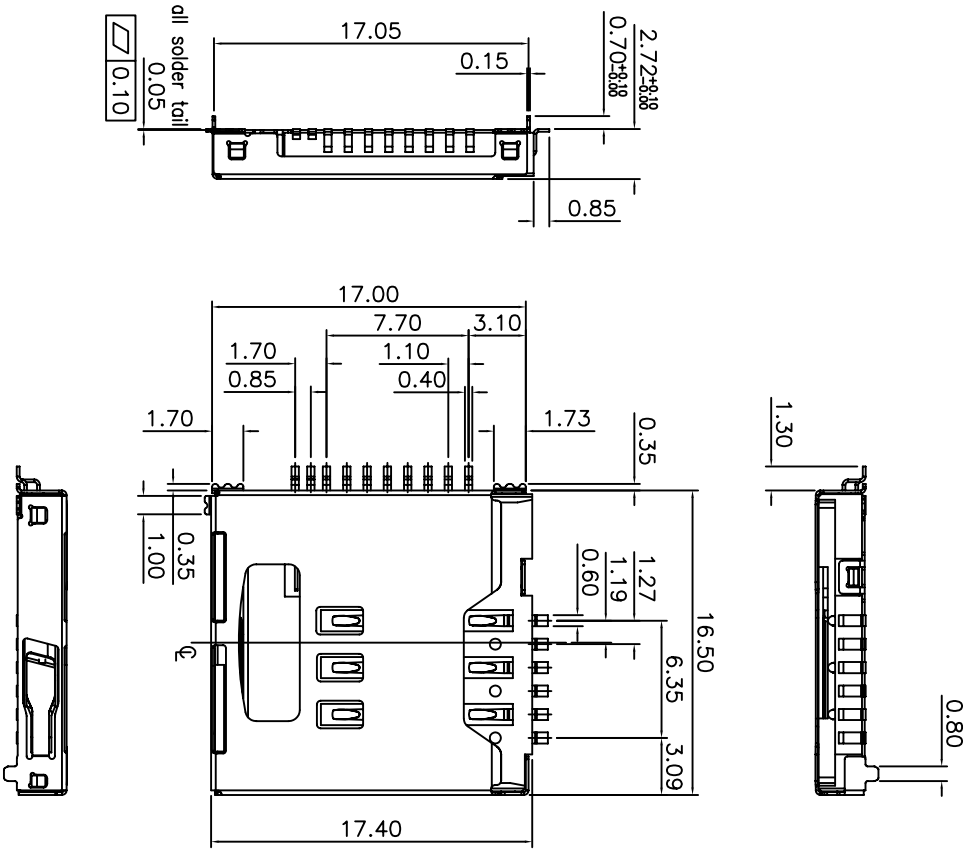
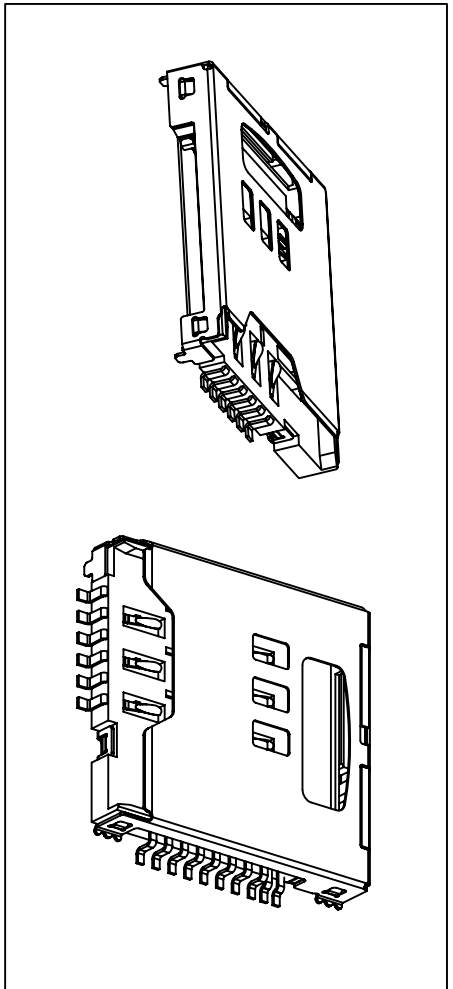


REV	DESCRIPTION	DATE	NAME
A	NEW REV.	2005/11/15	Sadie

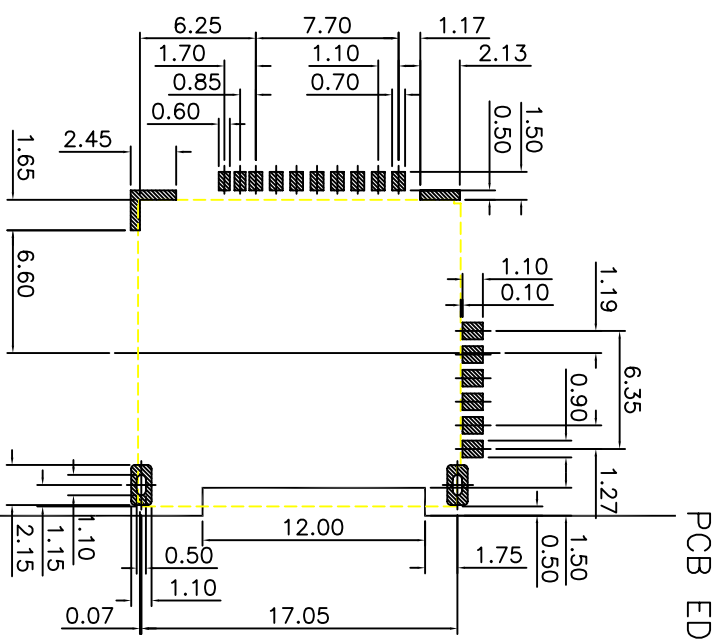
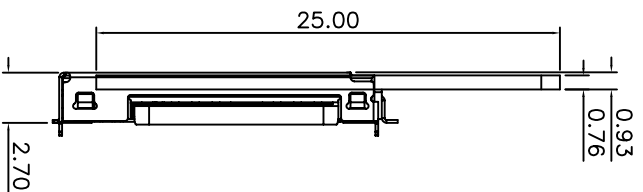
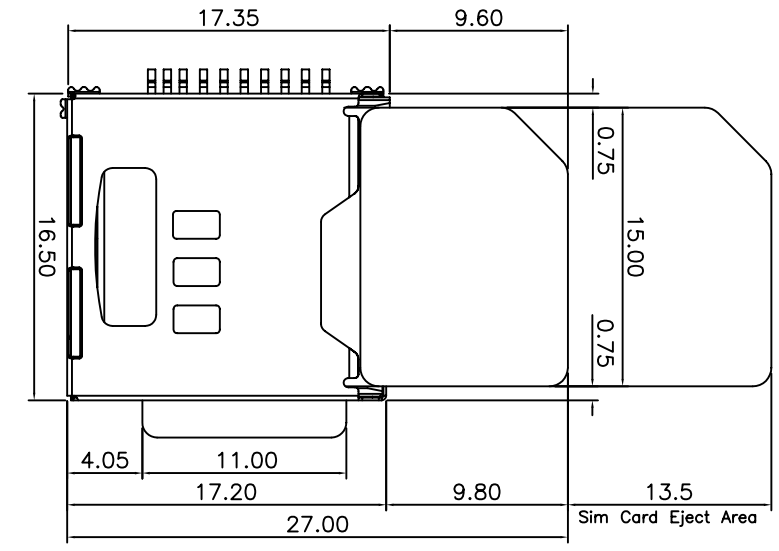


NO	PART NAME	MATERIAL	COLOR	FINISH	REMARKS
11	Switch-B	P/P Bronze		Au Plated	
10	Switch-A	P/P Bronze		Au Plated	
9	Crank-Axle	SUS			
8	Coil Spring	SUS			
7	Lock Spring	SUS			
6	Bottom Shell	Bronze		Nickel Plated	
5	Top Shell	SUS		Nickel Plated	
4	SIM Contact	P/P Bronze		Au Plated	
3	TF Contact	P/P Bronze		Au Plated	
2	Slider	Thermal Plastic	Black		UI.94V-0
1	Housing	Thermal Plastic	Black		UI.94V-0

1. Plating:
 05: 05u" Min. Gold in contact area,
 100u" Min Tin in solder area.
 15: 15u" Min. Gold in contact area,
 100u" Min Tin in solder area.

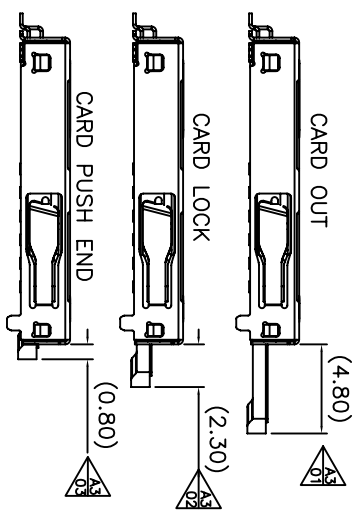
TC-TEK TC-TEK Industries Limited Connection Solutions 台灣訊科實業有限公司 TEL: 886-2-89914199 FAX: 886-2-29939564		CUST NO.: TC-CM-0060	
TITLE: SIM+TF 2IN1 MEMORY CARD CONNECTOR		PART NO.: TC-CM-0060	
DRAWN BY Sadie	CHECKED BY Sed	DRAWING NO. 05/11/15-03	DRAWING SIZE A4
APPROVED BY Sunny	WSSZ	UNIT mm	PAGE 1 OF 3

REV	DESCRIPTION	DATE	NAME
A	NEW REV.	2005/11/15	Sadie



Recommended PCB

SCALE 1:1



TC-TEK 台灣訊科實業有限公司 - Connector Solutions - TC-TEK Industries Limited TEL: 886-2-88914199 FAX: 886-2-29929564		CUST NO.: TC-CM-0060	
TITLE: SIM+TF 2IN1 MEMORY CARD CONNECTOR		PART NO.: TC-CM-0060	
DRAWN BY	Sadie	DRAWING NO.	05/11/15-03
CHECKED BY	Sea	DRAWING SIZE	A4
APPROVED BY	Sunngy	UNIT	mm
SORTING NO.	WSSZ	PAGE	2 OF 3

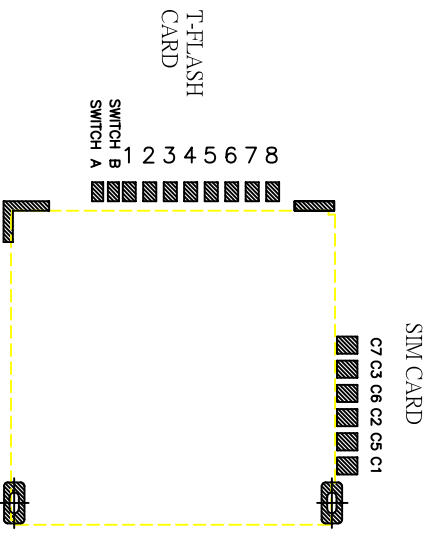
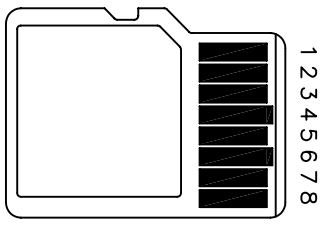
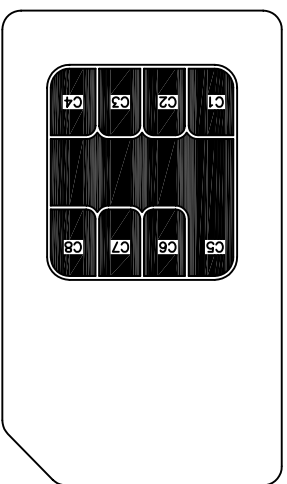
REV	DESCRIPTION	DATE	NAME
A	NEW REV.	2005/11/15	Sadie

SIM CARD

Pin No.	NAME
C1	VCC
C2	RST
C3	CLK
C4	Reserved
C5	GND
C6	VPP
C7	I/O
C8	Reserved

T-FLASH CARD

Pin No.	NAME	TYPE	DESCRIPTION
1	DAT2	I/O/PP	Date Line[bit2]
2	CD/DAT3	I/O/PP	Card Detect Date Line[bit3]
3	CMD	PP	Command Response
4	VDD	S	Supply Voltage
5	CLK	I	Clock
6	VSS	S	Supply Voltage Ground
7	DAT0	I/O/PP	Date Line[bit0]
8	DAT1	I/O/PP	Date Line[bit1]



CIRCUIT POSITION

NOTE:
 1. SWITCH TYPE: CARD OUT - SWITCH OPEN
 CARD IN - SWITCH CONTACT
 2. SET Distance "A" Min 0.20mm PACK GAP CONN

TC-TEK 台灣訊科實業有限公司 <small>— Connection Solutions —</small> TC-TEK Industries Limited TEL: 886-2-89914199 FAX: 886-2-28929664		CUST NO.: TC-CM-0060	
TITLE: SIM+TP 2IN1 MEMORY CARD CONNECTOR		PART NO.: TC-CM-0060	
DRAWN BY	Sadie	DRAWING NO.	05/11/15-03
CHECKED BY	Sea	DRAWING SIZE	A4
APPROVED BY	Sunny	UNIT	mm
SORTING NO.	WSSZ	PAGE	3 OF 3