

REV	DESCRIPTION	DATE	APP'D
01	FOR APPROVAL	8 Oct 2003	Michael

TC-5205-XXX-XX-X
 A B C

A = Number of Contacts

08 to 100 contacts

B = Contact Plating

TP - Tin Plating

GP - Gold Plating

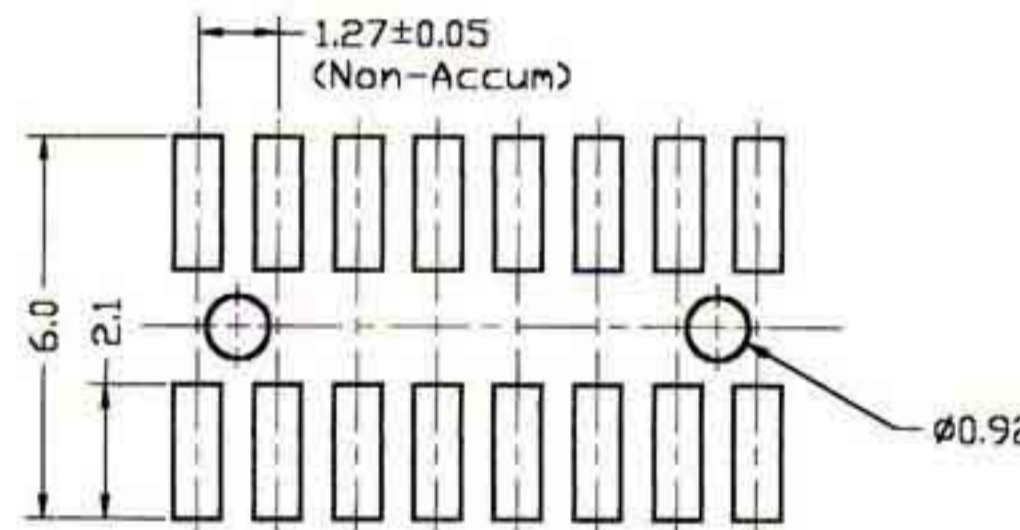
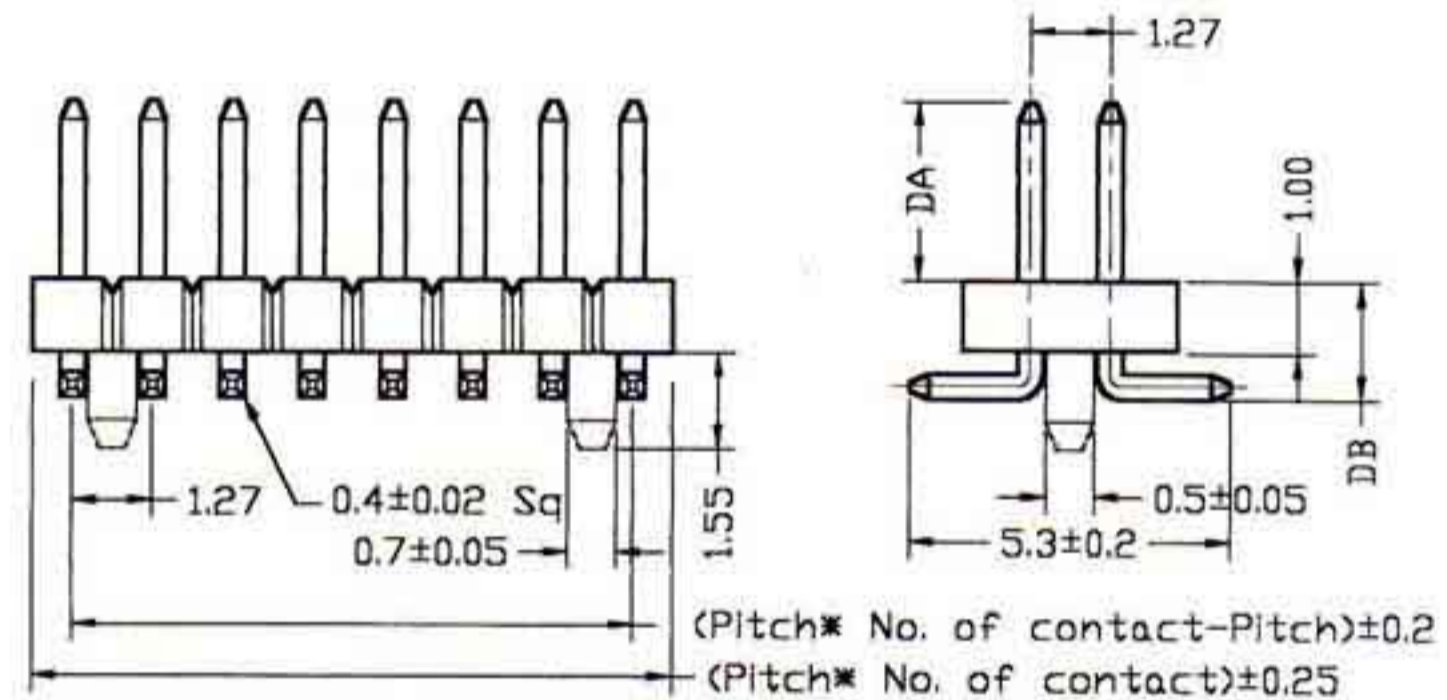
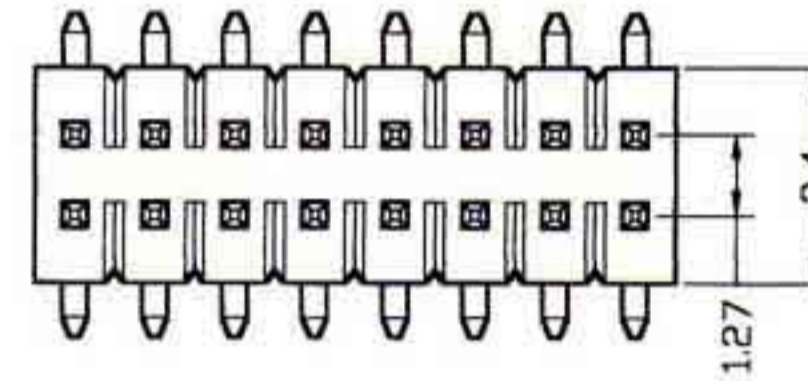
C = Locating peg

W - With locating peg

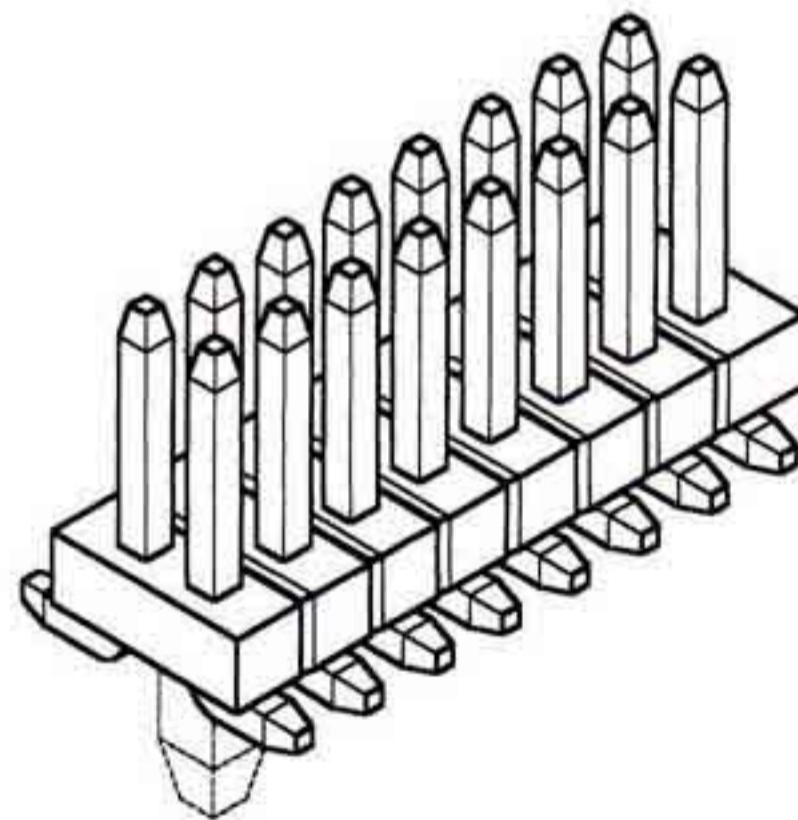
O - Without locating peg

SPECIFICATIONS

Current Rating:	1Amps
Insulator Resistance:	5000 Megohms min.
Dielectric Withstanding:	AC 500V
Operating Temperature:	-40°~+105°C
Max Processing Temp:	230° for 30~60 seconds (260° for 10 seconds)
Contact Material:	Brass
Insulator Material:	NYLON-6T
Unit:	mm
Unapeified Tolerance:	±0.20



P.C.B. LAYOUT



The length of pin for contact side and PCB side can be optional, based upon customer's demands.

TOLERANCE		INCHES	M/M	TC-TEK 台灣訊科實業有限公司 TC-TEK Industries Limited TEL:886-2-89914199 FAX:886-2-29929564
.X		.015	.30	
.XX		.010	.10	
.XXX		.005	.05	TITLE: 1.27x1.27mm Pin Header, SMT Dual Row 08 to 100 Contacts
DRAWN BY	Robert			USED ON:
CHECK BY	Henry			SCALE: _____
APPD BY	Michael			DRAWING NO: _____
		UNIT: _____		TC-5205 Series
		DATE: _____		REV 01