

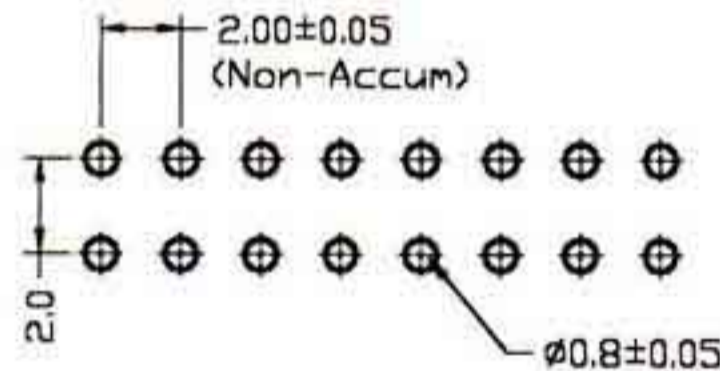
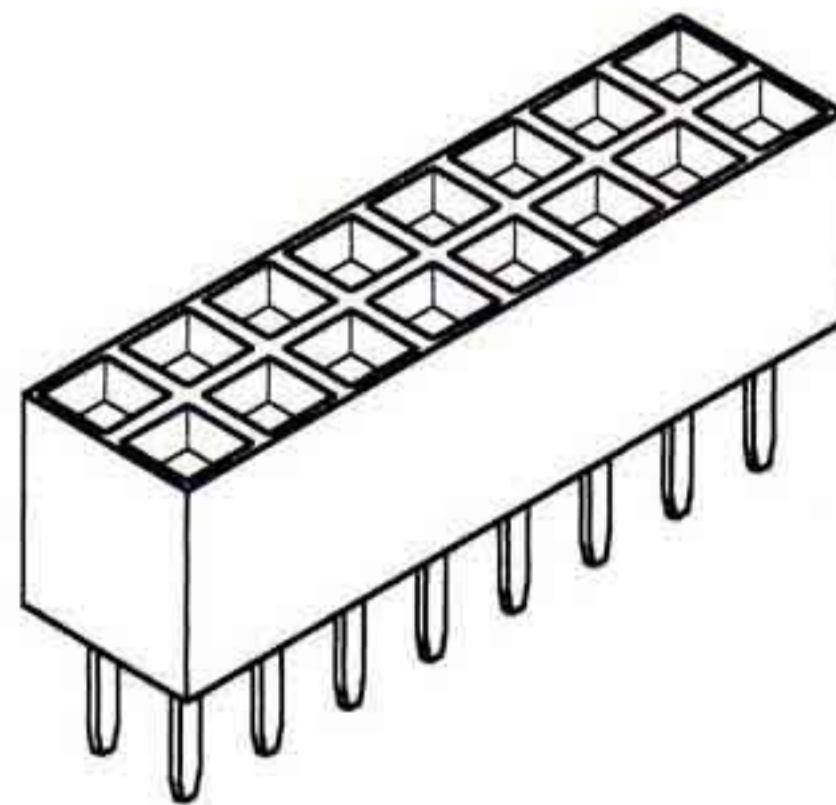
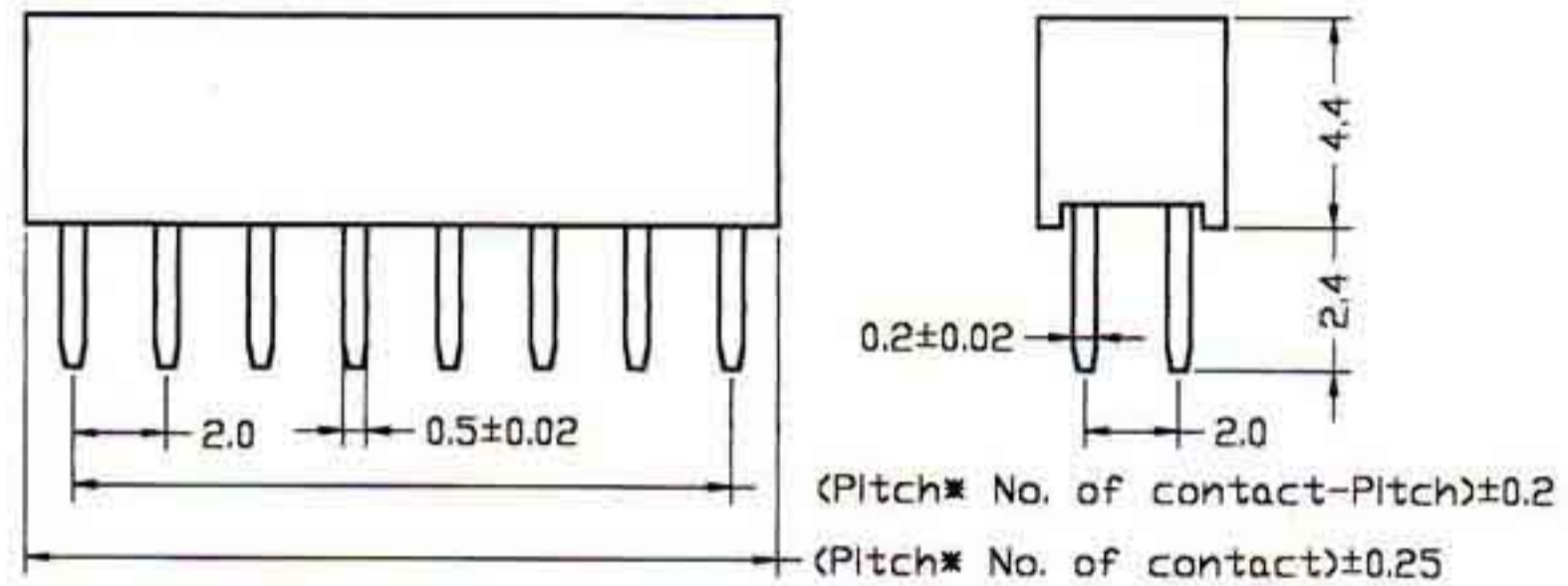
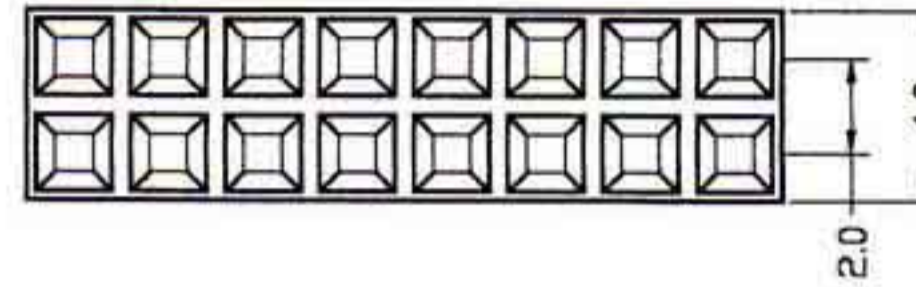
**TC-6302-XXX-XX**  
 A ——— B

REV	DESCRIPTION	DATE	APP'D
01	FOR APPROVAL	8 Oct 2003	Michael

A = Number of Contacts  
 04 to 80 contacts  
 B = Contact Plating  
 GP - Gold Plating

**SPECIFICATIONS**

Current Rating: 1Amps  
 Insulator Resistance: 5000 Megohms min.  
 Dielectric Withstanding: AC 500V  
 Operating Temperature: -40°-+105°C  
 Contact Material: Phosphor Bronze  
 Insulator Material: PBT  
 Plating: Gold Flash  
 Unit: mm  
 Unspecified Tolerance: ±0.20



P.C.B. LAYOUT

TOLERANCE		INCHES		M/M		<b>TC-TEK</b> 台灣訊科實業有限公司 <b>TC-TEK Industries Limited</b> TEL:886-2-89914199 FAX:886-2-29929564
.X	.015	.30				
.XX	.010	.10				
.XXX	.005	.05				
DRAWN BY	<b>Robert</b>		USED ON:			
CHECK BY	<b>Henry</b>		SCALE		DRAWING NO:	
APPD BY	<b>Michael</b>		UNIT		TC-6302 Series	
			DATE			REV 01