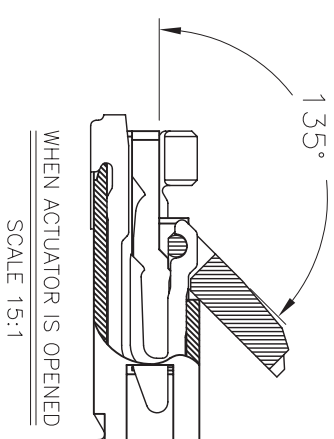
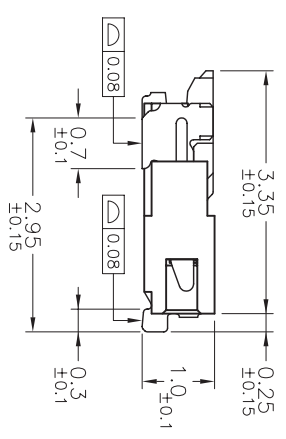
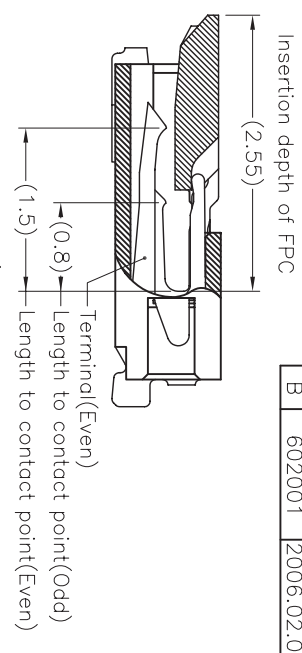
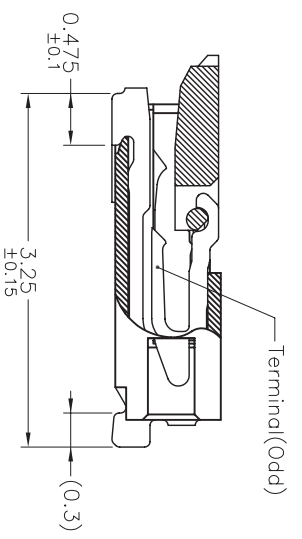
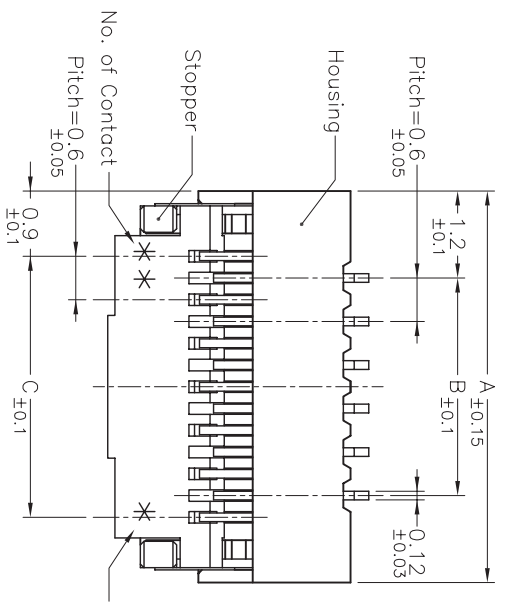


REV.	ECON NO.	DATE
A	RELEASED	2005.12.10
B	602001	2006.02.07



NOTE:

1. MATERIAL:
 HOUSING: LCP(UL 94V-0)
 ACTUATOR: LCP(UL 94V-0)
 TERMINAL: PHOSPHOR BRONZE
 STOPPER: PHOSPHOR BRONZE

2. PLATING:
 TERMINAL: SEE ORDERING INFORMATION
 STOPPER: TIN OVER NICKEL(LEAD FREE)

3. PART NO. :
 BL125-XX RL - TA XX

SERIES

NO. OF CONTACTS

NO. OF CONTACTS

RIGHT ANGLE(LOWER CONTACT TYPE)

TA-EMBOSSSED TAPE PACKAGE

3G-3U" GOLD OVER NICKEL

ND-TIN OVER NICKEL(LEAD FREE)

4. RATING:
 OPERATING VOLTAGE: 30V
 CURRENT RATING: 0.2A
 OPERATING TEMPERATURE: -25°C ~ +85°C

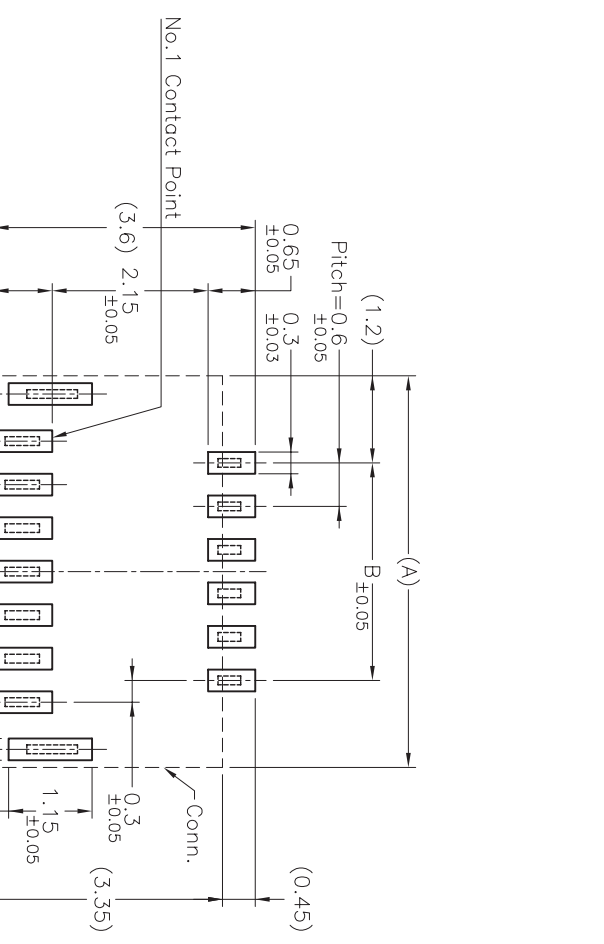
No. of Contacts	Catalog No.	DIM. A	DIM. B	DIM. C	DIM. D	DIM. E
13	BL125-13RL-TAxx	5.4	3.0	3.6	4.23	4.9
15	BL125-15RL-TAxx	6.0	3.6	4.2	4.83	5.5
19	BL125-19RL-TAxx	7.2	4.8	5.4	6.03	6.7
21	BL125-21RL-TAxx	7.8	5.4	6.0	6.63	7.3
23	BL125-23RL-TAxx	8.4	6.0	6.6	7.23	7.9
25	BL125-25RL-TAxx	9.0	6.6	7.2	7.83	8.5
27	BL125-27RL-TAxx	9.6	7.2	7.8	8.43	9.1
29	BL125-29RL-TAxx	10.2	7.8	8.4	9.03	9.7
31	BL125-31RL-TAxx	10.8	8.4	9.0	9.63	10.3
33	BL125-33RL-TAxx	11.4	9.0	9.6	10.23	10.9
35	BL125-35RL-TAxx	12.0	9.6	10.2	10.83	11.5
37	BL125-37RL-TAxx	12.6	10.2	10.8	11.43	12.1
39	BL125-39RL-TAxx	13.2	10.8	11.4	12.03	12.7
41	BL125-41RL-TAxx	13.8	11.4	12.0	12.63	13.3
45	BL125-45RL-TAxx	15.0	12.6	13.2	13.83	14.5
49	BL125-49RL-TAxx	16.2	13.8	14.4	15.03	15.7
51	BL125-51RL-TAxx	16.8	14.4	15.0	15.63	16.3
57	BL125-57RL-TAxx	18.6	16.2	16.8	17.43	18.1
71	BL125-71RL-TAxx	22.8	20.4	21.0	21.63	22.3

TOLERANCE UNLESS SPECIFIED	SHEET	DR. BY	MATERIAL	FINISH	UNIT	APP. BY	S.T. LIN	PART NO.	See Note 3
LINEAR	1/4	Bonnie L	See Note 1	See Note 2	mm				
ANGLE	10/1	CHK. BY							

TC-TEK 台灣科技實業有限公司
 Connection Solutions
 TEL: 886-2-89914199 FAX: 886-2-29929564
 TITLE: 0.3mm Pitch FPC Conn. E/O (H=1.0)
 DWG NO. C1/BOOK/BOOK/BL125/HP

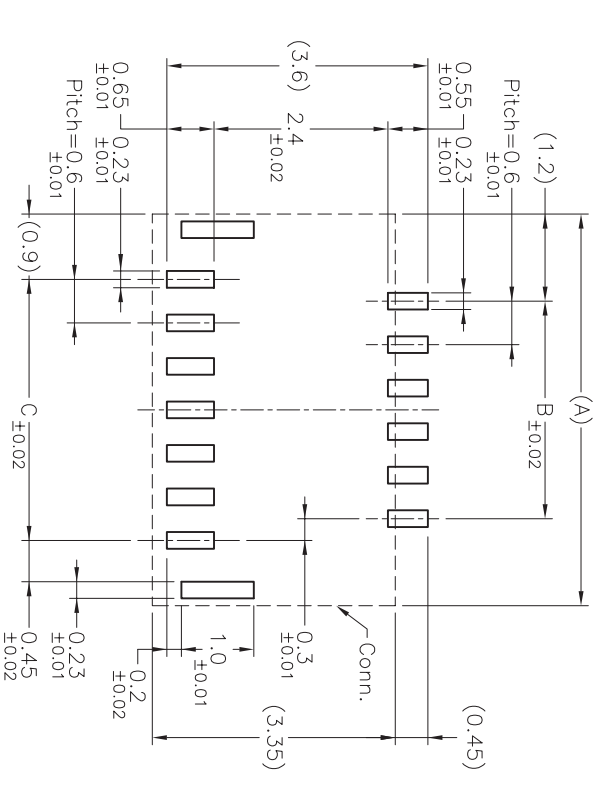
本部品不含環境管理物質規定之有害物質 [MANAGEMENT REGULATIONS FOR THE RESTRICTIVELY-USED SUBSTANCES INCLUDED IN PARTS AND DEVICES]

REV.	EON NO.	DATE
A	RELEASED	2005.12.10
B	602001	2006.02.07



PCB Layout

FPC/FFC INSERT DIRECTION



Recommended metal mask pattern

No.of Contacts	Catalog No.	DIM. A	DIM. B	DIM. C	DIM. E
13	BL125-13RL-TAxx	5.4	3.0	3.6	4.9
15	BL125-15RL-TAxx	6.0	3.6	4.2	5.5
19	BL125-19RL-TAxx	7.2	4.8	5.4	6.7
21	BL125-21RL-TAxx	7.8	5.4	6.0	7.3
23	BL125-23RL-TAxx	8.4	6.0	6.6	7.9
25	BL125-25RL-TAxx	9.0	6.6	7.2	8.5
27	BL125-27RL-TAxx	9.6	7.2	7.8	9.1
29	BL125-29RL-TAxx	10.2	7.8	8.4	9.7
31	BL125-31RL-TAxx	10.8	8.4	9.0	10.3
33	BL125-33RL-TAxx	11.4	9.0	9.6	10.9
35	BL125-35RL-TAxx	12.0	9.6	10.2	11.5
37	BL125-37RL-TAxx	12.6	10.2	10.8	12.1
39	BL125-39RL-TAxx	13.2	10.8	11.4	12.7
41	BL125-41RL-TAxx	13.8	11.4	12.0	13.3
45	BL125-45RL-TAxx	15.0	12.6	13.2	14.5
49	BL125-49RL-TAxx	16.2	13.8	14.4	15.7
51	BL125-51RL-TAxx	16.8	14.4	15.0	16.3
57	BL125-57RL-TAxx	18.6	16.2	16.8	18.1
71	BL125-71RL-TAxx	22.8	20.4	21.0	22.3

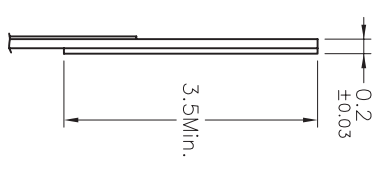
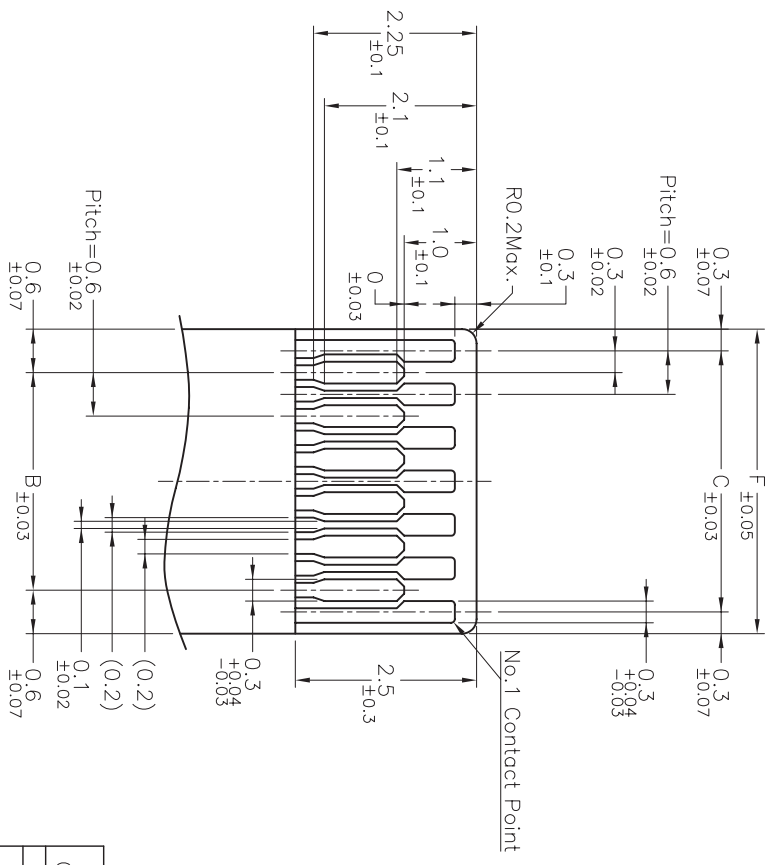
TOLERANCE UNLESS SPECIFIED		SHEET	DR. BY	MATERIAL	
LINEAR	ANGLE	2/4	Bonnie LI		
X	X	SCALE 10/1	CHK. BY	FINISH	
XX	XX	mm	S.T.LIN		
XXX	XX	UNIT	APP. BY	PART NO.	
		mm	S.T.LIN		

TC-TEK
Connection Solutions

台灣訊科實業有限公司
TC-TEK Industries Limited
TEL:886-2-89914199 FAX:886-2-29929564
TITLE 0.3mm Pitch FPC Conn. E/O (H=1.0)
DWG NO. C1/BOOK/BOOK/BL125/HP

本部品不含環境管理物質規定之有害物質 [MANAGEMENT REGULATIONS FOR THE RESTRICTIVELY-USED SUBSTANCES INCLUDED IN PARTS AND DEVICES]

REV.	ECON NO.	DATE
A	RELEASED	2005.12.10
B	602001	2006.02.07



Applicable FPC

No. of Contacts	Catalog No.	DIM. B	DIM. C	DIM. F
13	BL125-13RL-TAxx	3.0	3.6	4.2
15	BL125-15RL-TAxx	3.6	4.2	4.8
19	BL125-19RL-TAxx	4.8	5.4	6.0
21	BL125-21RL-TAxx	5.4	6.0	6.6
23	BL125-23RL-TAxx	6.0	6.6	7.2
25	BL125-25RL-TAxx	6.6	7.2	7.8
27	BL125-27RL-TAxx	7.2	7.8	8.4
29	BL125-29RL-TAxx	7.8	8.4	9.0
31	BL125-31RL-TAxx	8.4	9.0	9.6
33	BL125-33RL-TAxx	9.0	9.6	10.2
35	BL125-35RL-TAxx	9.6	10.2	10.8
37	BL125-37RL-TAxx	10.2	10.8	11.4
39	BL125-39RL-TAxx	10.8	11.4	12.0
41	BL125-41RL-TAxx	11.4	12.0	12.6
45	BL125-45RL-TAxx	12.6	13.2	13.8
49	BL125-49RL-TAxx	13.8	14.4	15.0
51	BL125-51RL-TAxx	14.4	15.0	15.6
57	BL125-57RL-TAxx	16.2	16.8	17.4
71	BL125-71RL-TAxx	20.4	21.0	21.6

TOLERANCE UNLESS SPECIFIED		SHEET 3/4	DR. BY Bonnie LI	MATERIAL
LINEAR	ANGLE	SCALE 10/1	CHK. BY S.T.LIN	FINISH
XX	X'	UNIT mm	APP. BY S.T.LIN	PART NO.
XXX	XX'			

台 灣 訊 科 實 業 有 限 公 司
TC-TEK Industries Limited
 TEL:886-2-89914199 FAX:886-2-29929564

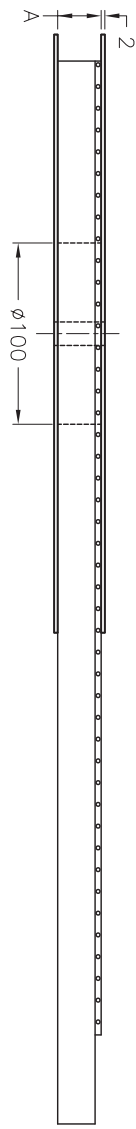
TITLE 0.3mm Pitch FPC Conn. E/O (H=1.0)

DWG NO. C1/BOOK/BOOK/BL125/HP

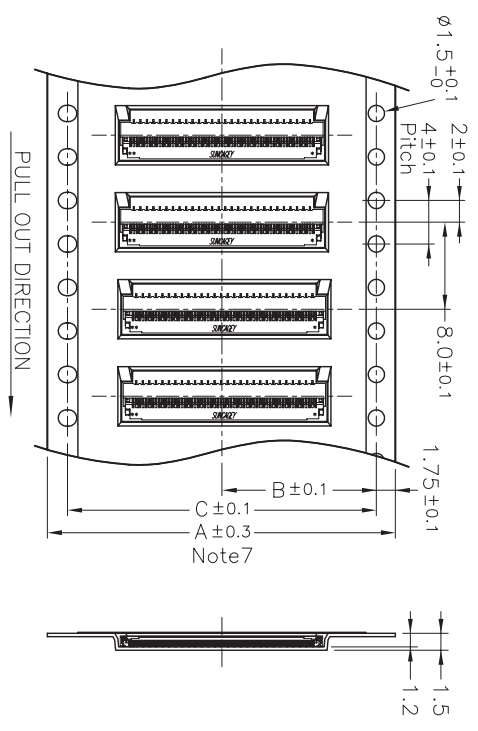
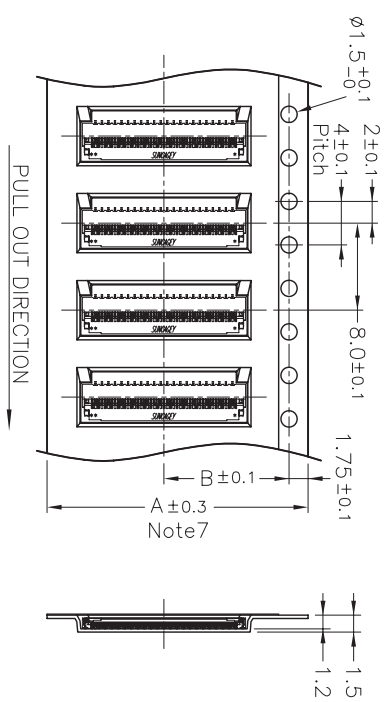
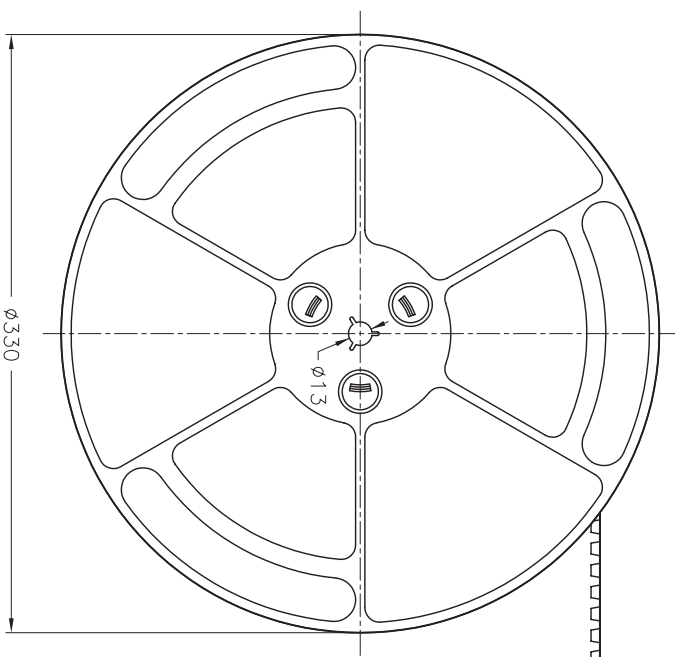
本 部 品 不 含 環 境 管 理 物 質 規 定 之 有 害 物 質 [MANAGEMENT REGULATIONS FOR THE RESTRICTIVELY-USED SUBSTANCES INCLUDED IN PARTS AND DEVICES]

EMBOSSED TAPE PACKING BL125 SERIES FEMALE TYPE

REV.	EON NO.	DATE
A	RELEASED	2006.02.07



PULL OUT DIRECTION →



- Note:
- 1.10 sprocket hole pitch cumulative tolerance ±0.2.
 - 2.Carrier camber is within 1 mm in 250mm.
 - 3.Material : Black Conductive Polystyrene Alloy.
 - 4.All dimensions meet EIA-481-C requirements.
 - 5.Thickness : 0.3±0.05mm.
 - 6.Component load per 13" reel : 5000pcs.
 - 7.For tape width (dimension A) 16 and 24mm a pilot hole is provided on one side.
For tape width (dimension A) 32mm pilot holes are provided on both sides.

No. of Contacts	Part Number	DIM. A	DIM. B	DIM. C
13	BL125-13RL-TAxx	A	B	C
25	BL125-25RL-TAxx	16	7.5	—
27	BL125-27RL-TAxx	24	11.5	—
51	BL125-51RL-TAxx	24	11.5	—
57	BL125-57RL-TAxx	32	14.2	28.4
71	BL125-71RL-TAxx	32	14.2	28.4

Note 7

TOLERANCE UNLESS SPECIFIED		SHEET 4/4	DR. BY Bonnie L	MATERIAL
LINEAR	ANGLE	SCALE 1.5/1	CHK. BY S.T.LIN	FINISH
XX	X	UNIT mm	APP. BY S.T.LIN	PART NO.
XXX	XX			

TC-TEK 台灣訊科實業有限公司
 Connection Solutions
TC-TEK Industries Limited
 TEL:886-2-89914199 FAX:886-2-29929564
 TITLE 0.3mm Pitch FPC Conn. E/O (H=1.0)
 DWG NO. C1/BOOK/BOOK/BL125/HP

本部品不含環境管理物質規定之有害物質 [MANAGEMENT REGULATIONS FOR THE RESTRICTIVELY-USED SUBSTANCES INCLUDED IN PARTS AND DEVICES]