

NOTES:
 1. SPECIFICATIONS: (OPTION)
 ELECTRICAL:
 RATING CURRENT: 0.5 A
 INSULATION RESISTANCE: 1000MΩ Min. at 100V DC
 CONTACT RESISTANCE: 100 mΩ Max.
 WITHSTANDING VDLAGE: 500V AC
 MECHANICAL:
 CONTACT RETENTION Force: 0.25kgf MIN.
 INSERTION FORCE: 4.2kgf MAX.
 WITHDRAWAL FORCE: 0.21kgf MIN.
 Durability: 10,000 times

| ITEM 項目 | PARTS NAME 零件名稱 | MATERIAL 材質 | FINISH/REMARK 處理/備註 |
|------------|---|------------------|---|
| A | HOUSING | LCP | BLACK |
| B | SHELL | STAINLESS T=0.2 | NON-PLATING |
| C | HOLDDOWN CONTACT | C2680 T=0.20 | 100µ"MIN. TIN PLATING ON SOLDER TAIL AREA 50µ"MIN. NICKEL UPPERPLATING OVERALL |
| D | CAM PIN | STAINLESS Ø0.4 | NON-PLATING |
| E | CARD LOCK | STAINLESS T=0.20 | NON-PLATING |
| F | SLIDER CAM | LCP | BLACK |
| G | SPRING | SVP Ø0.25 | 50µ"MIN. NICKEL UPPERPLATING OVERALL |
| H | CONTACT-SD | | |
| I | PROTECT CONTACT | | |
| J | PROTECT CONTACT AND DETECT CONTACT-SWITCH | | PHOSPHOR BRONZE T=0.15 |
| K | DETECT CONTACT | | |
| L | 標卡 | LCP | BLACK |

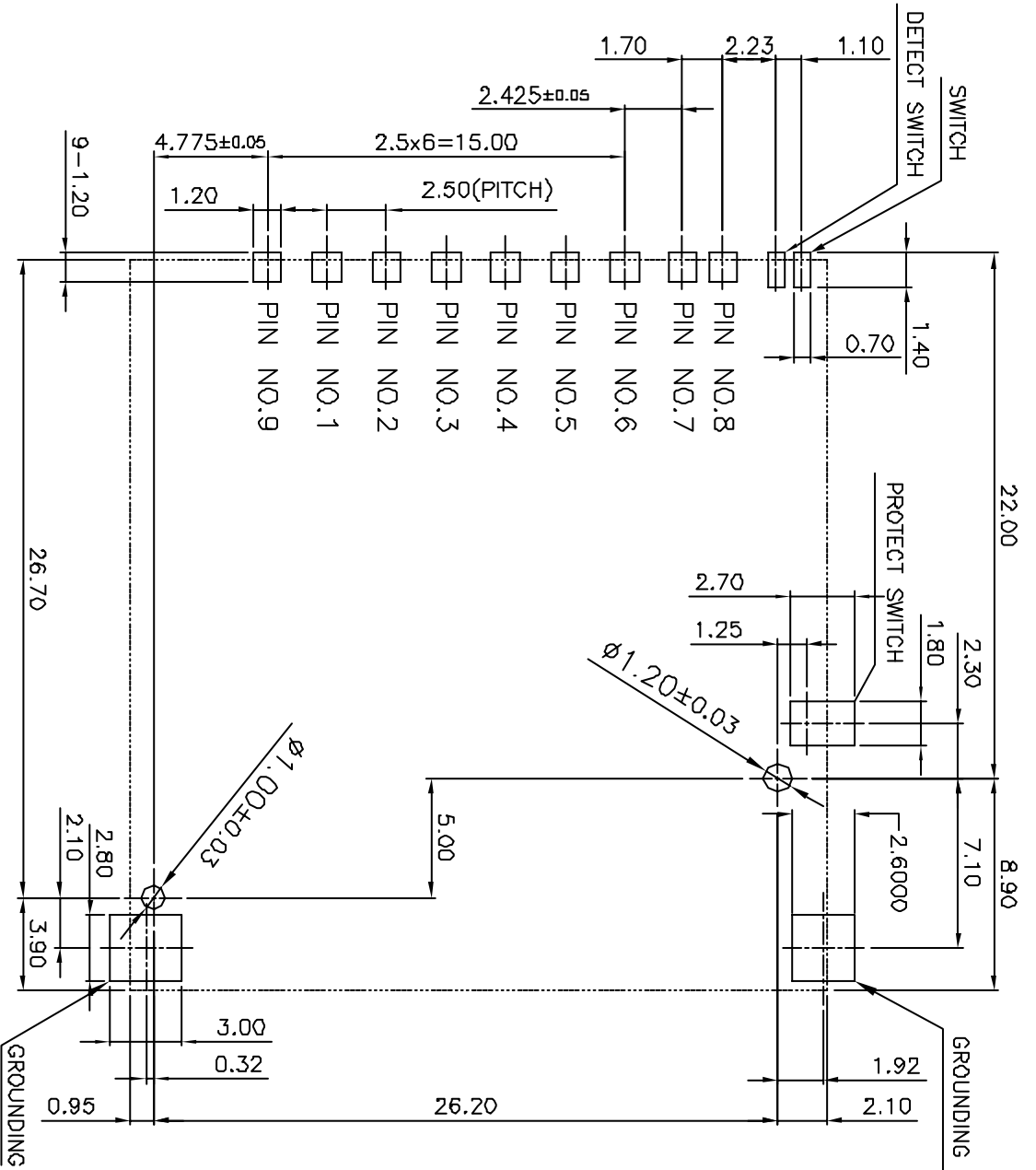
- WHEN DELIVERING, THE PSH/PUSH MECHANISM IS IN THE STATE OF THE UNLOCK.
- (CARD DASHING OUT POSITION)
- CARD READY ONLY BY THE TIME THE CARD DETECTION SWITCH WORKS.
- OPEN AND CLOSE OF EACH SWITCH.

| CARD INSERTION | WRITE PROTECT SWITCH | DETECT SWITCH |
|---------------------|------------------------|---------------|
| CARD INSERTION | WRITE PROTECT POSITION | DETECT SWITCH |
| CARD HALF INSERTION | COLSE | OPEN |
| CARD UNINSERTION | OPEN | COLSE |
| CARD INSERTION | OPEN | COLSE |

5. PART NO. F 0 3 - 655 - 00 08
 SERIES ——— MODEL NO. ——— TYPE NO. ———
 F—MEMORY CARD TYPE ——— 08=TYPE 8
 0=OTHER PITCH CONTACT TYPE ——— 00=REF. NO.
 3=SMT TYPE

TC-TEK
 Connection Solutions
台灣訊科實業有限公司
TC-TEK Industries Limited
 TEL:886-2-89914199 FAX:886-2-29929564

| REV. 版本 | ECN NO. 設備號碼 | MARK 記號 | REVISIONS 設備內容 | DATE 日期 | APPROVED 承認 | DESIGNED 設計 | DRAWN 製圖 | SCALE 比例 | PART NO. 產品編號 | DOC. NO. 文件編號 | REV. 版本 |
|------------|-----------------|------------|-------------------|------------|----------------|----------------|-------------|-------------|------------------|------------------|------------|
| A | EXXXX-XXX | X 1 | | | | JIMMY | JIMMY | A4 | F03-655-0008 | CUT-655-008 | A |



PCB TOLERANCE: ±0.05

PIN DEFINE

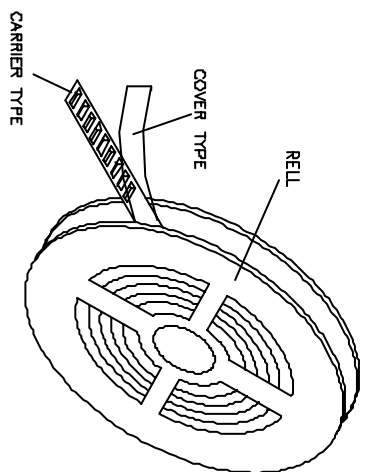
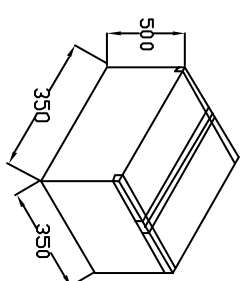
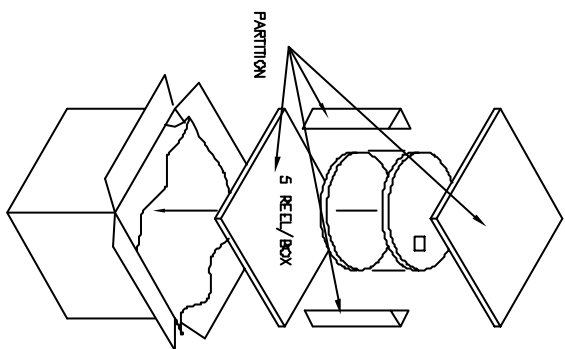
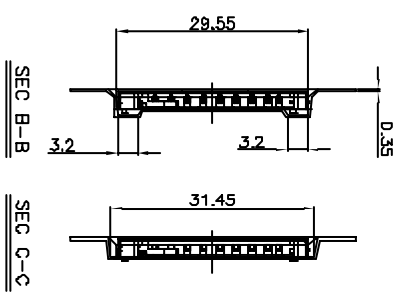
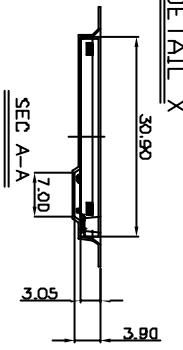
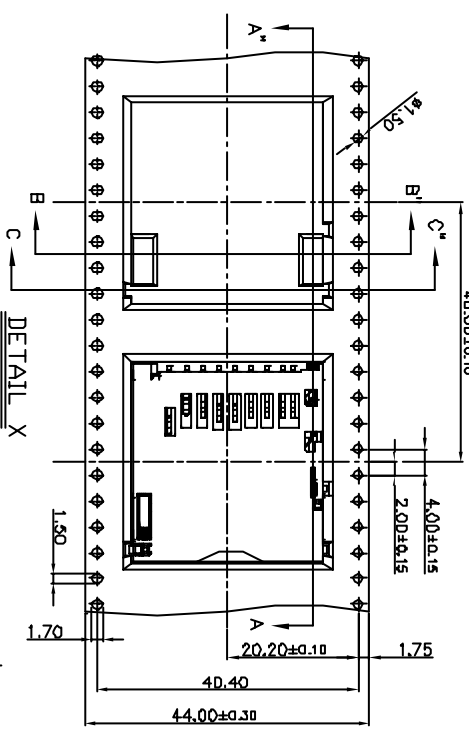
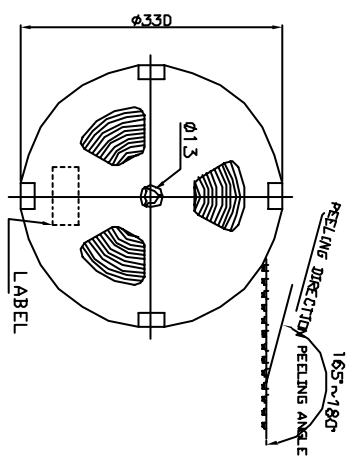
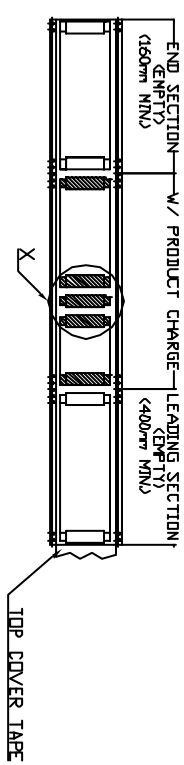
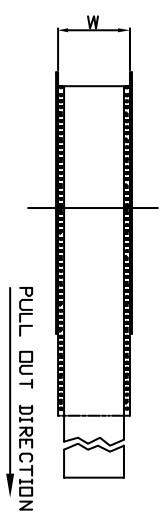
| PAD NO. | MEMORY CARD |
|---------|-------------|
| SD-01 | SD-CD/DAT3 |
| SD-02 | SD-CMD |
| SD-03 | SD-VSS |
| SD-04 | SD-VDD |
| SD-05 | SD-CLK |
| SD-06 | SD-VSS |
| SD-07 | SD-DAT0 |
| SD-08 | SD-DAT1 |
| SD-09 | SD-DAT2 |

TC-TEK
 Connection Solutions
台灣訊科實業有限公司
TC-TEK Industries Limited
 TEL: 886-2-89914199 FAX: 886-2-29929564

TITLE: 產品名稱
 RECOMMENDED PCB LAYOUT

DESIGNED: JIMMY
 10/20/05*
 UNIT: MM
 SCALE: A4
 PART NO: FO3-655-0008
 DOC. NO: CUT-655-008
 REV. A

| REV. / 版本 | ECN NO. / 設備號碼 | MARK / 記號 | REVISIONS / 設備內容 | SIGN / 修改 | DATE / 日期 | UNLESS OTHERWISE SPECIFIED TOLERANCE / 尺寸公差 | CHECKED / 審核 | APPROVED / 承認 | DESIGNED / 設計 | SCALE / 比例 | PART NO. / 產品料號 | DOC. NO. / 文件編號 | REV. / 版本 |
|-----------|----------------|-----------|------------------|-----------|-----------|---|-------------------------|---------------|-------------------------|------------|-----------------|-----------------|-----------|
| A | EXXXX-XXX | X 0 | - | - | - | X, .X, .XX, ANG. ±5°00' | ±0.20 ±0.10 ±0.05 | | DRAM: Long 10/20/05* | A4 | FO3-655-0008 | CUT-655-008 | A |



- NOTES
1. MATERIAL: PS (Color: black)
 2. DEFORMATION (變形) & DAMAGE (損壞): NA (不可)
 3. PACKING: 300 PCS/REEL ; 5 PCS REEL/BOX

TC-TEK
 Connection Solutions
台灣訊科實業有限公司
TC-TEK Industries Limited
 TEL: 886-2-89914199 FAX: 886-2-29929564

Packing Drawing

| | | | | | | | | | | | |
|---------|----------------|---------|----------------|---------|---------|---|-------------|--------------------|----------|---------------|---------------|
| REV. 版本 | ECN NO. 設備變更號碼 | MARK 記號 | REVISIONS 設備內容 | SEEN 修改 | DATE 日期 | UNLESS OTHERWISE SPECIFIED TOLERANCE 尺寸公差 | CHECKED 審核 | DESIGNED 設計 | SCALE 比例 | PART NO. 產品料號 | DOC. NO. 文件編號 |
| A | EXXXX-XXX | X 0 | - | - | - | ±0.40 ±0.25 .XX ±0.10 ANG. ±2°00' | APPROVED 承認 | JIMMY 10/20/05" | A4 | F03-655-0008 | CUT-655-008 |
| 1 | 2 | 3 | 4 | 5 | 6 | 7 | 8 | 9 | 10 | REV. 版本 | A |