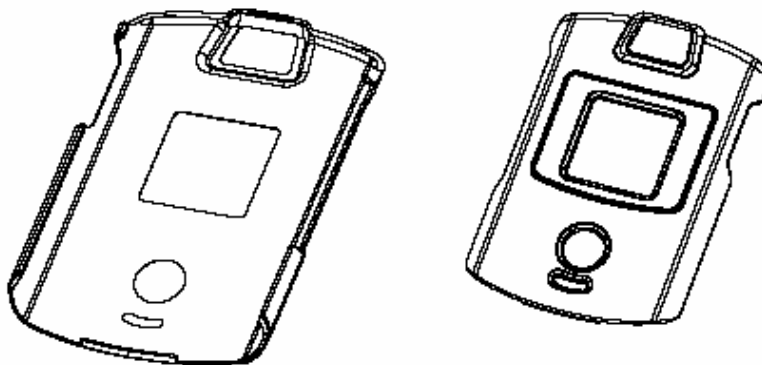
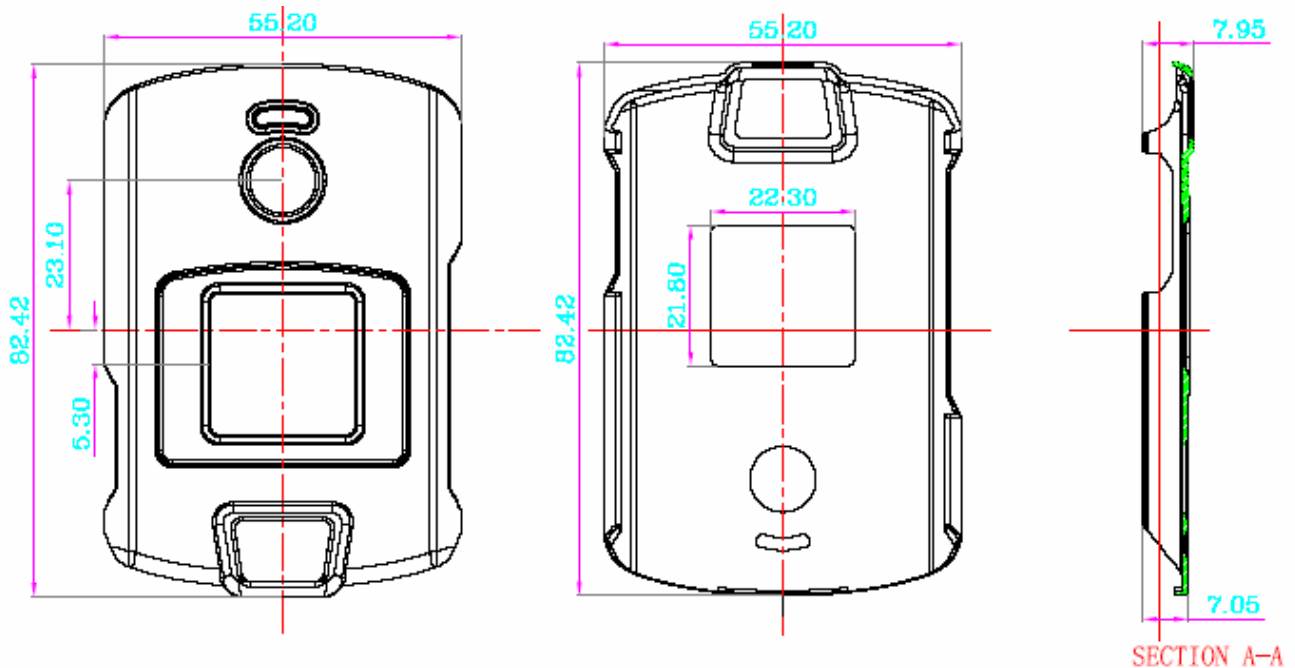


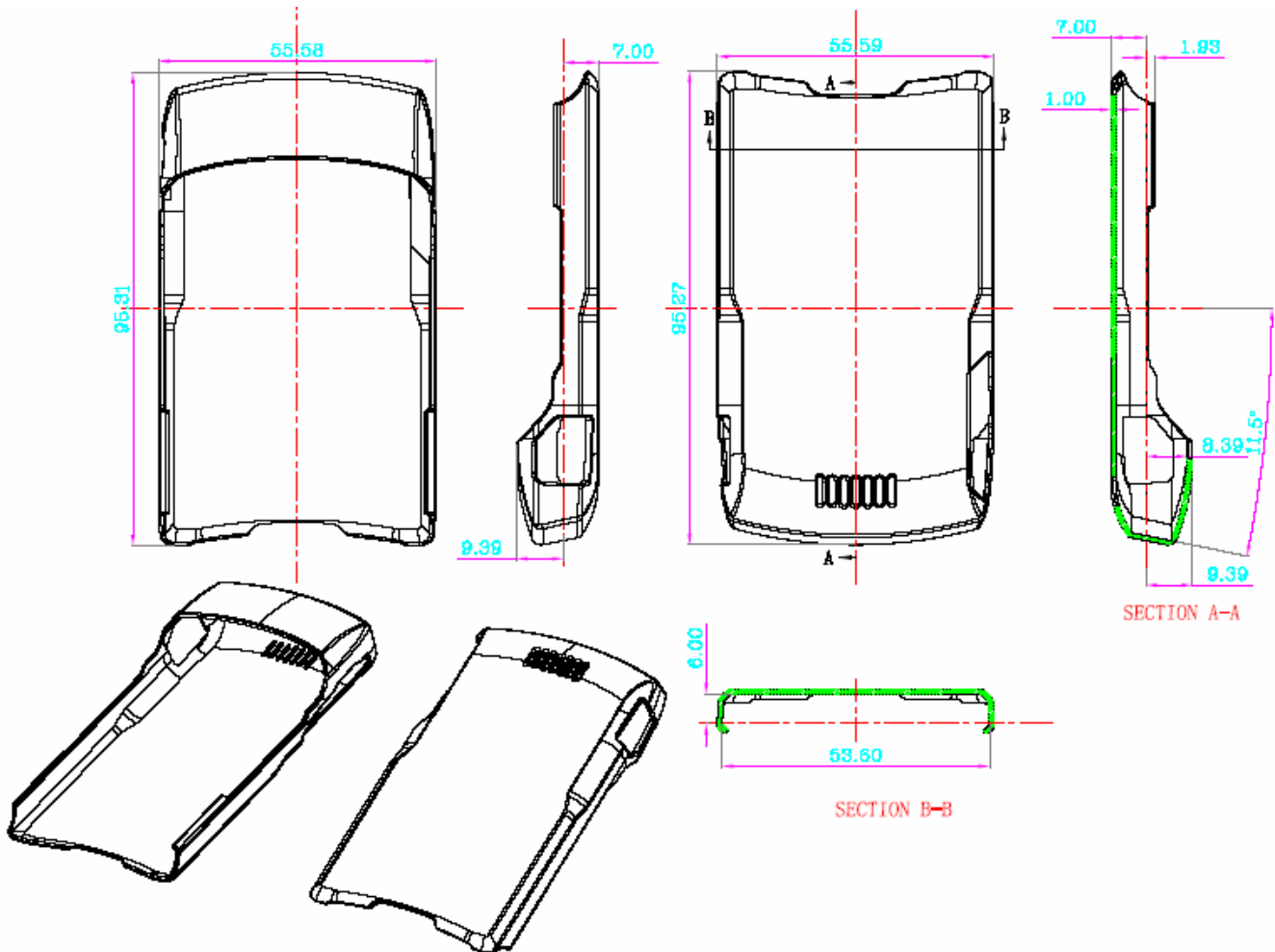
## TOP Structure Drawing



## Structure Explanation

- 1.1 SIZE : JMOTV3TC-TOP → 82.42×55.20×7.95mm ±0.50mm (L×W×H)
- 1.2 CASE Material :
  - 1.2.1 Manufacturer/Trademark: CHIMEI-ASAHI Corporation
  - 1.2.2 Type/Model: WONDERLITE PC - 110
  - 1.2.3 Flammability class: V-2,
  - 1.2.4 Standard: UL94

## Bottom Structure Drawing



## Structure Explanation

1.1 SIZE : JMOTV3TC-Bottom → 95.31×55.59×16.39mm ±0.50mm (L×W×H)

1.2 CASE Material :

1.2.1 Manufacturer/Trademark: CHIMEI-ASAHI Corporation

1.2.2 Type/Model: WONDERLITE PC - 110

1.2.3 Flammability class: V-2,

1.2.4 Standard: UL94