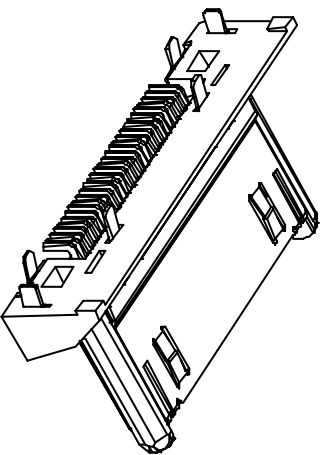
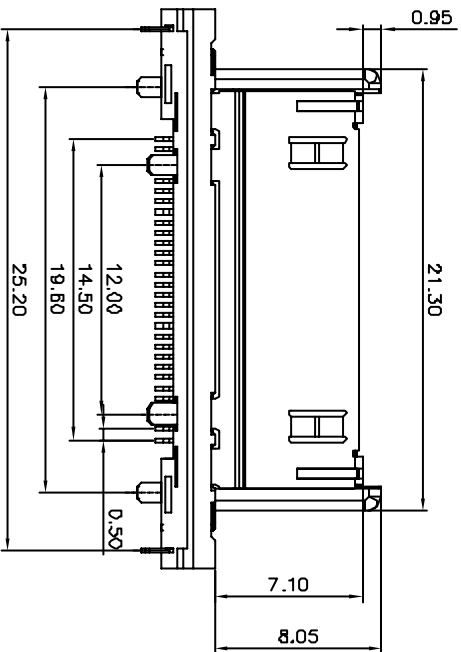
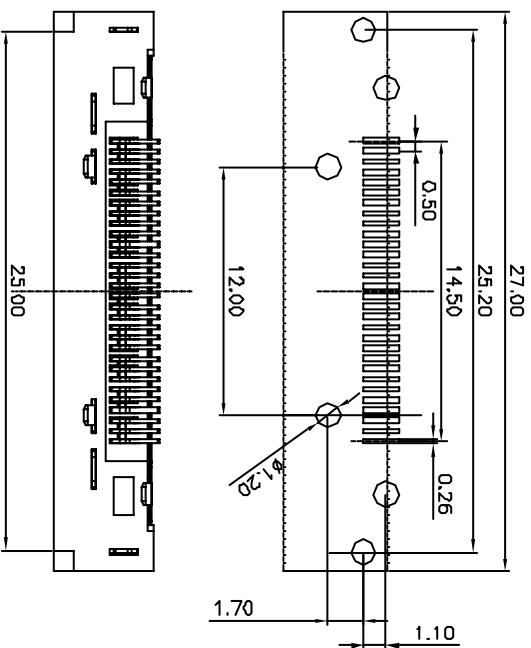
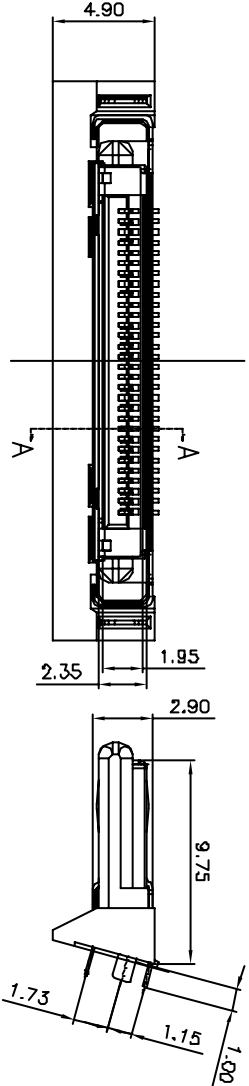
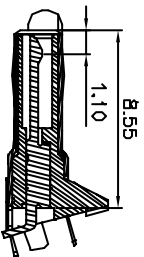
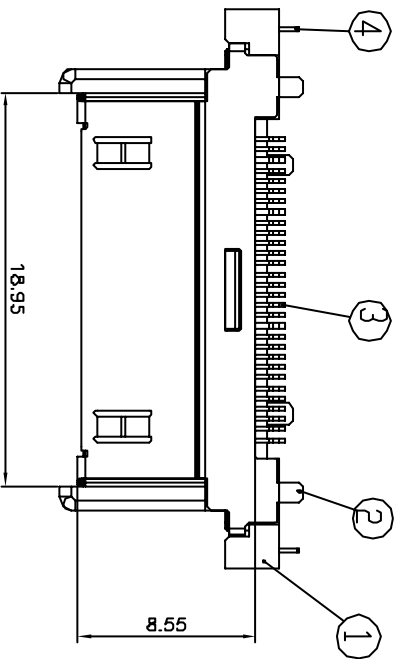


ITEM	PARTS NAME	Q'TY	MATERIAL	FINISH/REMARK
1	HOUSING	1	NYLON	GLAY
2	SHELL	1	SUS 304	Nickel:10U"
3	CONTACT	30	Phosphor Bronze	Gold flash selective
4	LATCH	2	SUS 301	Nickel:10U"



NOTES
 1. MATERIAL: See drawing
 2. ELECTRICAL
 2.1. Insulator resistance: 100DM ohms Min. @ 250 VDC
 2.2. Withstanding voltage: 100 VAC / minute
 2.3. Contact resistance: 50m ohms Max.
 3. MECHANICAL
 3.1. Mating force: 30N(3.08kgf) Max.
 3.2. Unmating force: 4.2N(0.43kgf) Min.
 3.3. Durability: 10000 cycles Min.
 3.4. Contact retention force: 4.2N(0.43kgf) Min
 4. PACKING: 500pcce/bag (reference)
 5. PART NO.
 M30 - 661 - 0 0 Q1

SERIES Connector MODEL NO. 661

TYPE NO. 1
 PROCESS NO. "0"
 MATERIAL TYPE 0=Serml-finished goods

TC-TEK
 Connection Solutions
台灣訊科實業有限公司
TC-TEK Industries Limited
 TEL:886-2-89914199 FAX:886-2-29929564

DESIGNED H.T.CHEN
 01/04/02'
 DRAWN TONG
 14/01/05'
 TITLE ASS'Y HOUSING
 SMT type-30 position

UNLESS OTHERWISE SPECIFIED TOLERANCE 尺寸公差
 X, ±0.50
 .X ±0.30
 .XX ±0.20
 ANG. ±5°00'

CHECKED 審核
 APPROVED 承認

DESIGNED H.T.CHEN
 01/04/02'
 DRAWN TONG
 14/01/05'

SCALE 2/1
 SIZE A3
 PART NO. M30-661-0001
 DOC. NO. CUT-661-002
 REV. A

REV. 版本	ECN NO. 設備號碼	MARK 記號	REVISIONS 設備內容	SKN 修改	DATE 日期
A	EXXXX-XXX	X 0	-	-	-